

WOOD-HEATED PRODUCTS



#healingwithheat

WOOD-BURNING HEATERS | HEATER ACCESSORIES | WATER HEATING



ENGLISH

HEALING WITH HEAT



Sauna's heat is good for the heart

Taking 2–3 sauna baths per week is enough to lower the risk of cardiovascular disease by 20% compared to those sauna bathing only once a week. The risks may decrease by up to 65% the more one sauna bathes.

Laukkanen, Khan, Zaccardi & Laukkanen 2015



Sauna bathing improves sleep quality

A study investigating the connection between sauna bathing and sleep saw a 70% increase in deep sleep during the first two hours and 45% increase in six hours. There was a statistically significant decrease in the participants' staying-up time after sauna bathing.

Putkonen & Elomaa 1976



Sauna bathing is exercise

The heat of the sauna makes the heart pump blood faster, expanding the blood vessels and relieving the heart.

Brunt, Howard, Francisco, Ely, Minston 2016



Sauna bathing improves memory

Sauna bathing twice a week decreases the risk of dementia by one fifth compared to those sauna bathing only once a week. The risk is up to 60% less for people sauna bathing 4–7 times a week.

Laukkanen, Kunutsor, Kauhanen & Laukkanen 2016



Sauna bathing cherishes the skin

The heat of the sauna multiplies the amount of blood pumping through superficial veins, which boosts the skin's metabolism. The skin feels nourished, maintains moisture and stays soft and elastic.

Viinikka 2020



Sauna bathing treats muscles

Sauna is a great place for relaxing tense muscles. However, sauna bathing before exercise prevents muscle pains and increases muscle mobility afterwards.

Khamwong, Paungmali, Pirunsan & Joseph 2015

HARVIA

Sauna & Spa

Healing with heat

CONTENT

HEALING WITH HEAT 2

RESPONSIBILITY 4

GreenFlame: Harvia's range of low-emission wood-burning heater 5

WOOD-BURNING HEATERS 6

Choose a sauna heater according to your preferences 6

- Harvia Legend 9
- Harvia Linear 22 GreenFlame 16
- Harvia Pro 21
- Harvia M3 26
- Harvia M3 SL 26
- Harvia 50 27
- Harvia Linear 16 27

HEATER ACCESSORIES 28

- Harvia steel chimneys 28
- Smoke pipes 33
- Protective sheaths 34
- Protective bedding 34
- Sauna heater stones 36
- Decorative stones 36
- Harvia Duo glass wall 39

WATER HEATING 40

SAUNA ACCESSORIES 42

TECHNICAL DATA 44

RESPONSIBILITY



Clean heat from wood-burning heaters

Did you know that the way you light a fire in your sauna heater also has an environmental impact? Lighting from the top of the wood in the heater is the most environmentally friendly and energy-efficient method, as this allows the flue gases to burn cleaner and produce as little smoke as possible.

Here are some tips on how to make wood burning more eco-friendly and efficient.

- 1 Place the wood in the fire chamber horizontally, leaving about half of the chamber empty.
- 2 Smaller kindling wood and other kindling is placed on top of the logs.
- 3 Light the kindling from several angles so that the fire will burn steadily, proceeding downwards.
- 4 Use only dry wood, as burning wet wood wastes energy.
- 5 Soot that gathers in the fire chamber and the flue consume a lot of energy.

GreenFlame: Harvia's range of low-emission wood-burning heater

Launched in 2020, the Harvia Legend GreenFlame heater has a completely redesigned fire chamber for cleaner burning. The design of the fire chamber reduces fine particulate emissions by a fifth, and carbon monoxide emissions by 70 percent compared to similar wood-burning heaters of the same size.

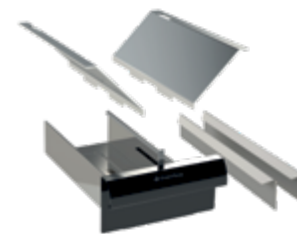
Harvia is involved in the multi-year KIUAS-2 project at the University of Eastern Finland, the purpose of which is to reduce emissions from wood-burning heaters and develop a certificate to compare the particulate emissions of sauna heaters. Harvia's revamped GreenFlame fire chamber is part of our long-term development towards cleaner burning of wood and reduction of emissions. Harvia's mission is to eventually halve the quantity of fine particulate emissions from wood-burning heaters.

The Harvia GreenFlame fire chamber is optimized for cleaner burning. A large glass door adds atmosphere, while the heater's advanced combustion technology and highly durable structure ensure a more responsible sauna experience.

Behind the large glass door of the **Harvia Legend 240 GreenFlame** wood-burning heater, the blazing fire burns cleanly. All you have to do is enjoy the magically soothing atmosphere. Suitable for a medium-sized sauna, the heater is low-emission, durable and easy to use. The plentiful amount of stones ensures soft steam similar to a smoke sauna. Read more on page 11.

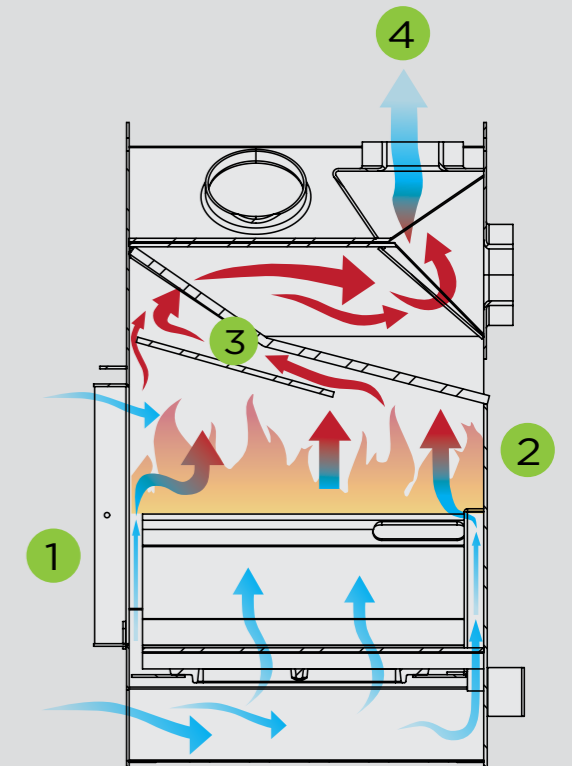
The **Harvia Linear 22 GreenFlame** is a stylish and timeless wood-burning heater with a large glass door that beautifully displays the clean-burning fire for an incomparably cozy atmosphere. Suitable for a medium-sized sauna, the heater is even more energy-efficient thanks to Harvia's GreenFlame technology. Read more on page 16.

The **Harvia Pro 20 GreenFlame accessory kit** will further reduce the harmful emissions from your Harvia Pro 20 heater. Harvia's advanced GreenFlame technology makes wood burning even more efficient, and significantly reduces environmentally harmful emissions. The more controlled combustion of wood lowers harmful emissions such as carbon monoxide and fine particulate emissions, and evens out the temperature of the heater, making its use more eco-friendly and extending its lifetime. The Harvia Pro 20 GreenFlame accessory kit is easy to install on the Harvia Pro 20 heater later.



GreenFlame

- ✓ Advanced fire technology
- ✓ 70% lower carbon monoxide emissions
- ✓ Lower fine particulate emissions
- ✓ Long-lasting structure



- 1 Air is conducted through the ash box and the hatch to the fire chamber.
- 2 There, the air is mixed evenly with the combustion process, which leads to clean combustion.
- 3 The hot flue gases go through the channels in the top part of the sauna heater, efficiently transmitting heat to the heater frame, stones and the whole sauna.
- 4 The combustion gases exit through the chimney.

WOOD-BURNING HEATERS



Choose a sauna heater according to your preferences

Do you prefer a really hot steam bath or rather enjoy more humid and moderate heat, or maybe a combination of the two? Use the table to choose a suitable sauna heater, but remember also to consider the size of your sauna.

Gentle steam bath

If you prefer a gentle steam bath, you should go for a heater with plenty of stones. The temperature remains moderate and the large amount of stones ensures extended humidity. If you go for a wood-burning heater, you can also get a smoke pipe guard that can be filled with stones to increase the amount of stones even further.

More intense heat

If you prefer more intense heat, choose Harvia's traditional wood-burning heaters with a smaller amount of stones than the pillar models. The sauna is heated up quickly and you can feel the heat on your skin every time you throw water on the stones.

Gentle steam is indicated by this symbol



Intense heat is indicated by this symbol



Four heater options for a wood-burning heater



TRADITIONAL



HEATER WITH WATER TANK



PILLAR HEATERS



2-IN-1 STOVE AND FIREPLACE MODEL

Considerations when choosing the heater power:

- Start the selection process by measuring the cubic volume of your sauna.
- For each non-insulated square meter, add 1.2 cubic meters to the volume of the sauna.
- If the interior walls of the sauna room are made of non-insulated logs, the corresponding factor is 1.5.
- A handy tool is available for these calculations at www.harvia.com

Heater accessories

- When selecting a wood-burning heater, you should also consider getting the necessary safety accessories. The accessories are CE approved and always safe to use.
- Protective sheaths can be used to reduce the heater's safety distances and the space it requires in the sauna.
- The heater's protective bedding protects a wooden floor and the waterproofing of floor tiles. The adjustable feet of the bedding also make it easier to install the heater.
- Thanks to the straight and angular smoke pipes, the heater can be easily connected to the flue from the top or back.
- The heat-insulated Harvia steel chimney is designed for detached sauna buildings to safely direct the flue gases out of the sauna.
- You can also buy a water tank that goes round the smoke pipe to easily get more water for washing.
- The Legend smoke pipe guard increases the stone space even more and also improves the steam bath properties and reduces the safety distance of the flue pipe.

Accessories are shown from **page 28** onwards

Sauna heater	Steam	Sauna size
M3	☀☀☀	6-13 m ³
M3 SL	☀☀☀	6-13 m ³
Harvia 16	☀☀☀	6-16 m ³
Harvia 22 GreenFlame	☀☀☀	9-18 m ³
Harvia 22 ES GreenFlame	☀☀☀	9-18 m ³
Harvia 22 RS GreenFlame	☀☀☀	9-18 m ³
Harvia 22 LS GreenFlame	☀☀☀	9-18 m ³
Pro 20	☀☀☀	8-20 m ³
Pro 20 ES	☀☀☀	8-20 m ³
Pro 20 RS	☀☀☀	8-20 m ³
Pro 20 LS	☀☀☀	8-20 m ³
Pro 20 SL	☀☀☀	8-20 m ³
Pro 20 DUO	☀☀☀	8-20 m ³
Legend 150	☀☀☀	6-13 m ³
Legend 150 SL	☀☀☀	6-13 m ³
Legend 240 GreenFlame	☀☀☀	10-20 m ³
Pro 26	☀☀☀	10-26 m ³
Pro 36	☀☀☀	14-36 m ³
Pro 36 DUO	☀☀☀	14-36 m ³
Legend 240 DUO	☀☀☀	10-24 m ³
Legend 300	☀☀☀	14-28 m ³
Legend 300 DUO	☀☀☀	14-28 m ³
Harvia 50	☀☀☀	20-50 m ³



Legend

– stories about steam

The Harvia Legend is a story about authenticity and extremely durable Harvia quality. Every Harvia Legend product is part of the heroic story of Harvia, founded in 1950 and currently the world's largest sauna heater and heater manufacturer. Every Legend product is a handmade masterpiece by Harvia's master blacksmiths. Choose Legend and start your own legendary sauna story.

The Harvia Legend provides you with the ultimate sauna experience. This large heater takes you back to the origins of heaters – it is a heater in its purest form. The patinated steel frame of the Harvia Legend contains a large amount of stones that gives off a generous amount of steam even in large saunas as it heats up. Due to the open structure of the stone compartment, you can throw water on the entire outer surface of the heater. The heat stored in the large number of stones allows you to throw more water even at a lower temperature – you can enjoy delightfully humid steam in your sauna.



Legend 150
WK150LD

Harvia Legend 150

The Harvia Legend 150 offers comfortably humid steam for a smaller sauna. The heater is a treat for the eye and for the sauna users. The Harvia Legend 150 is equipped with a cast-iron-framed glass door, allowing the warm glow of the fire to add to the ambience in the sauna. The heater is equipped with adjustable feet for easier installation.



Legend 300
WK300LD

Harvia Legend 300

The Harvia Legend 300 provides a generous amount of steam in medium-sized and large saunas. The heater comes with a large and stylish steel-framed glass door. The large fire chamber can even fit bigger firewood, with the maximum length being 47 cm. The heater is equipped with adjustable feet for easier installation.



Legend 240 GreenFlame
WK200LD

Harvia Legend 240 GreenFlame

Fire roars cleanly behind the large glass door of the Harvia Legend 240 GreenFlame wood burning heater, and you can just enjoy the magical and relaxing ambience. The low-emission, durable and easy-to-use sauna heater is suited to medium-sized saunas. Its hefty stone quantity guarantees a traditional, soft saunabath.

The heart of the sauna heater is a fully renewed GreenFlame fire chamber, which has been designed with clean combustion in mind. The new fire chamber reduces the particulate emissions generated by wood combustion by one fifth and carbon monoxide emissions by 70%. Choose a one-of-a-kind handmade Legend and start your own legendary sauna story.



Heater	Recommended sauna room size min.-max. m ²	Dimensions (w x d x h) mm	Safety distances to burning materials (without protective sheaths) mm				Weight kg	Stone compartment max. kg
			Ceiling	Sides	Back	Front		
WK150LD	6-13	530 x 530 x 740 (+30)	1000	200	250	500	58	120
WK300LD	14-28	600 x 660 x 1040 (+30)	1000	200	250	680	94	260
WK200LD	10-20	600 x 600 x 830 (+30)	1200	200	250	630	82	200



Harvia Legend 2-in-1 stove and fireplace heaters

Harvia Legend wood-burning heaters offer an unparalleled sauna experience. The black steel frame contains a large number of stones. The heat that is stored in the large amount of stones produces a larger amount of steam even at low temperatures. This ensure that you'll still have plenty of steam to enjoy even if the fire goes out for a while. The fire chamber of the Harvia Legend SL/Duo is outside the sauna room, and the heater is installed through the wall.

The fire chamber of Harvia's Legend heaters has a modern fire grate structure that distributes the combustion air. Part of the combustion air is directed to the top of the combustion chamber, resulting in more efficient and cleaner burning. The grate design also extends the life of the heater. The side and rear protective distances from the burning wood allow for a freer layout of the sauna boards.

Harvia Legend SL

Legend's steel frame contains a huge amount of stones, creating a wonderfully humid and smooth steam bath. The heater is placed in the sauna and the wood are added into the fire chamber on the other side of the wall. The heater has adjustable legs and the opening direction of the glass door can be changed.



Legend 150 SL
WK150LDSL

Legend 240 SL
WK240LDSL

Harvia Legend Duo

A unique solution that combines a wood-burning sauna heater and a fireplace. The heater is placed in the sauna and the wood are added into the fire chamber on the other side of the wall. The heater has adjustable legs and the opening direction of the glass door can be changed.

Harvia Duo heaters allow you to place the benches more freely and the safety railing accessory guarantees a safe bathing experience. Heating water is easy with the pipe mounted Legend water tank which is available separately for the Duo wood-burning heaters. Make your sauna experience even more perfect with Harvia Legend accessories.



Legend 300 Duo
WK300LDLUX

Legend 240 Duo
WK240LDLUX

Heater	Recommended sauna room size min.-max. m ³	Dimensions (w x d x h) mm	Safety distances to burning materials (without protective sheaths) mm				Weight kg	Stone compartment max. kg
			Ceiling	Sides	Back	Front		
WK150LDSL	6-13	530 x (530 + 200) x 740 (+30)	1000	200	250	500	62	120
WK240LDSL	10-24	600 x (600 + 180) x 830 (+30)	1000	200	250	630	82	200
WK240LDLUX	10-24	600 x (600 + 180) x 830 (+30)	1000	200	250	630	95	200
WK300LDLUX	15-30	600 x (660 + 120) x 1040 (+30)	1000	200	250	700	99	260



Accessories for Harvia Legend heaters



Steel pipe
WHP1500M



Steel pipe
damper plate
WHP270SPM



Legend smoke pipe
guard
WL300



Legend safety railing
SASP0240/ SASP0241



Legend water heater
WP250LD



Protective sheath
WL200



Protective bedding
WL100



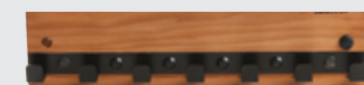
Legend bucket
SASP0100



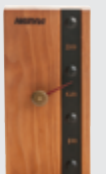
Legend ladle
SASP0101



Legend firewood rack
SASP0102



Legend clothes hanger
SASP0103



Legend thermometer
SASP0104

Harvia Linear 22 GreenFlame

Harvia Linear 22 GreenFlame is a timeless and elegant black wood burning heater with a large glass door that creates a wonderful atmosphere and highlights the fire beautifully. The heater is perfect for medium-sized saunas and boasts lower emission levels thanks to the GreenFlame technology. GreenFlame ensures a controlled burn, reliable operation and a long life for your heater.

The stones of the Linear 22 GreenFlame heater heat the entire sauna quickly, offering enough heat even for the most demanding sauna bathers. Linear GreenFlame represents pioneering quality in sauna heater technology. The heart of the heater is a fully updated GreenFlame fire chamber, which has been designed with clean combustion in mind. The new fire chamber reduces the particulate emissions generated by wood combustion by 20% and carbon monoxide emissions by 70%. The updated GreenFlame fire chamber is an element in Harvia's determined development efforts towards cleaner combustion and emission reductions. As a long-term goal, Harvia has decided to cut the particulate emissions of wood burning heater by half.

The Linear GreenFlame heaters can be used to heat up bathwater at the same time as the sauna with 20% lower emissions. You can select the model that suits you best based on the interior decoration of your sauna. The water tank is fixed either at the front (ES), right (RS) or left (LS). The water tap is conveniently positioned towards the bottom of the heater so that hot water can be run into any container safely.



Linear 22 GreenFlame
WKLI22GM



 GreenFlame



Linear 22 GreenFlame Es
WKLI22GESM



Linear 22 GreenFlame LS
WKLI22GLSM



Linear 22 GreenFlame RS
WKLI22GRSM

Heater	Recommended sauna room size min.-max. m ³	Dimensions (w x d x h) mm	Safety distances to burning materials (without protective sheaths) mm				Weight kg	Stone compartment max. kg
			Ceiling	Sides	Back	Front		
WKLI22GM	9-18	450 x 510 x 770 (+30)	1265	400	380	500	73	40
WKLI22GESM	9-18	450 x 660 x 770 (+30)	1265	400	380	500	83	40
WKLI22GLSM	9-18	550 x 510 x 770 (+30)	1265	400	380	500	78	40
WKLI22GRSM	9-18	550 x 510 x 770 (+30)	1265	400	380	500	78	40



Accessories for Harvia Linear 22 GreenFlame

				
Steel chimney black WHP1500M	Steel chimney damper plate black WHP270SPM	Steel chimney steel WHP1500	Steel chimney damper plate steel WHP270SP	
Harvia 22 GreenFlame				
				
Protective sheath one side WL525	Protective sheath full WL575	Protective bedding WL100	Pipe model water heater WP220ST	Thermio water heater WP250TH
Harvia 22 GreenFlame ES			Harvia 22 GreenFlame LS/RS	
				
Protective sheath one side WL530	Protective sheath full WL580	Protective bedding WL100	Protective sheath full WL585	Protective bedding WL110





Harvia Pro

The classic Harvia Pro product range includes heaters for saunas that are medium-sized or larger, including large log saunas. In addition, our Pro sauna range includes heaters with a water container and heaters that are installed through the wall. Harvia's Pro sauna heaters are renowned for their high quality, long-lasting heat that heats up the sauna quickly, ensuring an excellent sauna experience.

In the basic Harvia Pro models, the front and top of the heater are made of stainless steel, which is easy to keep clean. The sides are painted black, and the fire that glows behind the glass door illuminates the sauna, creating a pleasant atmosphere. The opening direction can be changed to increase safety and ease of use. Pro heaters are easy to maintain and install, and the adjustable feet provide a steady and safe footing. Cleaning the heater is easy, with separate maintenance doors in the combustion ducts and a large ash box that is handy to empty.

Traditional Harvia heater models: The Pro 20, Pro 26 and Pro 36 models are suitable for saunas that are medium-sized or larger, including large log saunas. The models that have a water container heat water to boiling hot quickly, and by mixing it with cool water you have enough for several sauna users to take a bath.

Harvia Pro 20 SL, Pro 20 DUO and Pro 36 DUO sauna heater models, which are heated from outside the sauna, combine the use of a traditional wood-burning heater and a pleasant atmosphere. In through-the-wall heaters, wood is added to the heater from outside the sauna, with the glass door of the heater creating a great atmosphere as a fireplace in the adjacent room. The heater is simple to use, and it is easy to keep the sauna room clean.

The Harvia Pro product family has a wood-burning heater for every need. The many accessories and the versatile connectivity of the heater ensure a wide range of installation options.



Harvia Pro 20
WKP200

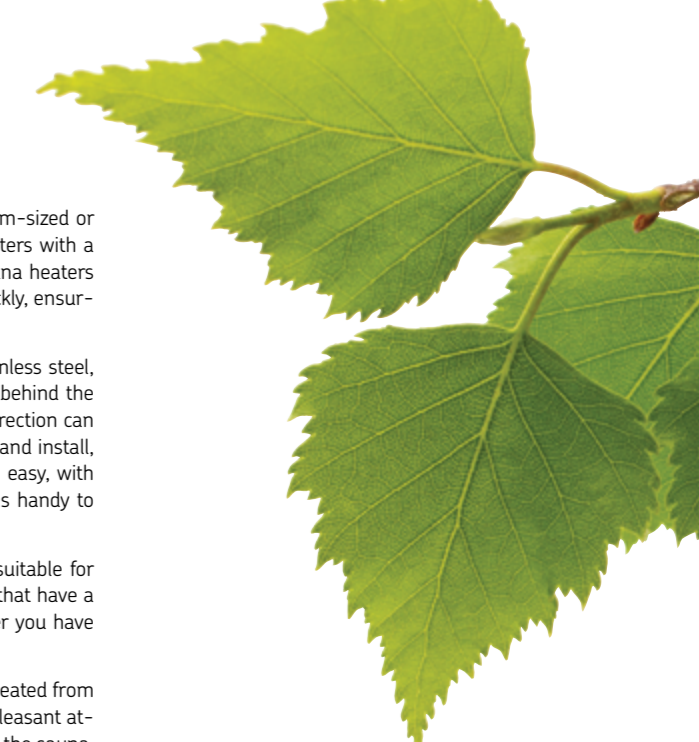


Harvia Pro 26
WKP260



Harvia Pro 36
WKP360

Heater	Recommended sauna room size min.-max. m ³	Dimensions (w x d x h) mm	Safety distances to burning materials (without protective sheaths) mm				Weight kg	Stone compartment max. kg
			Ceiling	Sides	Back	Front		
WKP200	8-20	430 x 510 x 760 (+30)	1300	300	300	300	60	40
WKP260	10-26	430 x 510 x 810 (+30)	1280	375	375	375	65	50
WKP360	14-36	510 x 510 x 810 (+30)	1250	500	500	500	70	60





Harvia Pro 20 ES
WKP200ES

Harvia Pro 20 ES

A favourite for cottage saunas, the Harvia Pro 20 ES is a practical heater that provides a hearty amount of steam. The front of the heater features a 20-litre water tank that is easy to use. It heats up the water while the heater is being heated. The water tank has a tap on the side of your choice. The fire glowing behind the cast-iron-framed glass door adds to the ambience of the sauna. The sturdy fire chamber cover ensures durability. The heater has a large stone compartment and steel upper grating. The heater is also equipped with adjustable feet. The outer casing of the Harvia Pro 20 ES heater is painted graphite black.



Harvia Pro 20 LS, Pro 20 RS

Equipped with water tanks on the side, the Harvia Pro 20 LS and Harvia Pro 20 RS are practical heaters that provide a hearty amount of steam. Water heats up in a spacious 30-litre water tank while the heater is being heated. The fire glowing behind the glass door with a narrow cast iron frame adds to the ambience of the sauna. The sturdy fire chamber cover ensures durability. The heater has a large stone compartment and steel upper grating. The heaters are equipped with adjustable feet.

The water tank is located on the left (L) in the Harvia Pro 20 LS and on the right (R) in the Pro 20 RS. Together with the Harvia Pro 20 ES, these heaters equipped with a water tank make it easy to choose the model best-suited for your sauna.



Harvia Pro 20 LS
WKP200LS



Harvia Pro 20 RS
WKP200RS

Heater	Recommended sauna room size min.-max. m ³	Dimensions (w x d x h) mm	Safety distances to burning materials (without protective sheaths) mm				Weight kg	Stone compartment max. kg
			Ceiling	Sides	Back	Front		
WKP200ES	8-20	430 x 650 x 760 (+30)	1300	300	300	300	75	40
WKP200RS	8-20	580 x 510 x 760 (+30)	1300	300	300	300	65	40
WKP200LS	8-20	580 x 510 x 760 (+30)	1300	300	300	300	65	40

Harvia Pro 20 SL

You can warm up your Harvia Pro 20 SL wood-burning heater from the other side of the sauna wall and enjoy the flames behind its glass door creating a delightful atmosphere in the room. Relax in front of the glowing fire while waiting for your sauna to heat up for enjoyable bathing on the other side of the wall.

Harvia Pro 20 SL is designed for vigorous bathing in medium-sized saunas. The stone space of the heater always guarantees an enjoyable sauna bath and a hot sauna within a short time. The model has adjustable feet that make installation easier, enabling you to easily find the right height for the smoke outlet. The stove can be equipped with the pipe-model water heater.

Harvia SL heaters allow you to place the benches more freely. Heating water is easy with the pipe mounted water tank which is available separately for the wood-burning heaters.



Harvia Pro 20 SL
WK200SL

Harvia Pro 20 Duo, Harvia Pro 36 Duo

Warm up your Harvia Pro DUO wood-burning heater from the other side of the sauna wall and enjoy the flames behind its large glass door creating a pleasant atmosphere in the room. Relax in front of the glowing fire while waiting for your sauna to heat up for enjoyable bathing on the other side of the wall.

Harvia Pro DUO is designed for vigorous bathing in medium-sized saunas. The stone space of the heater always guarantees an enjoyable sauna bath and a hot sauna within a short time. The model has adjustable feet that make installation easier, enabling you to easily find the right height for the smoke outlet. The stove can be equipped with the pipe-model water heater. The outer casing of the stove is made of stainless steel.

Harvia DUO heaters allow you to place the benches more freely. Heating water is easy with the pipe mounted water tank which is available separately for the wood-burning heaters.



Harvia Pro 20/36 DUO
WK200SLUX, WK360SLUX

Heater	Recommended sauna room size min.-max. m ²	Dimensions (w x d x h) mm	Safety distances to burning materials (without protective sheaths) mm				Weight kg	Stone compartment max. kg
			Ceiling	Sides	Back	Front		
WK200SL	8-20	430 x (510+220) x 760 (+30)	1300	300	300	300	70	40
WK200SLUX	8-20	430 x (510+220) x 760 (+30)	1300	300	300	300	80	40
WK360SLUX	14-36	510 x (510+280) x 810 (+30)	1250	500	500	500	80	60

Accessories for Harvia Pro

 Steel chimney black WHP1500M	 Steel chimney damper plate black WHP270SPM	 Steel chimney steel WHP1500	 Steel chimney damper plate steel WHP270SP		
Pro 20 Protective sheath side WL500	 Protective sheath full WL550	 GreenFlame KIT WXPRO20KIT1 Protective bedding WL100	Pro 26 Protective sheath side WL700	 Protective sheath full WL750	 Protective bedding WL100
Pro 36 Protective sheath side WL800	 Protective sheath full WL850	 Protective bedding WL110	Pro 20 ES Protective sheath side WL700	 Protective sheath full WL750	 GreenFlame ES KIT WXPRO2ESKIT Protective bedding WL100
Pro RS/LS Protective sheath side WL500	 Protective sheath full WL590	 GreenFlame KIT WXPRO20KIT1 Protective bedding WL110	<div style="border: 2px solid black; border-radius: 50%; padding: 20px; text-align: center;"> <p>Accessories for SL and DUO heaters are on page 43</p> </div>		



Sauna heater accessories are on page 43

Harvia M3

Classically stylish in its design, the Harvia M3 heater is suitable for a small wood-heated sauna. It ensures that using the sauna is a pleasant experience and makes the sauna feel like a traditional sauna. The even heat given off by the heater and the efficient fire and air circulation guarantee an enjoyable sauna experience.

The heaters can be equipped with a pipe model water heater. The Harvia M3 is equipped with a glass door, through which the glowing fire adds to the ambience in the sauna. The heater is available in stylish graphite black, and its upper grating is made of stainless steel.



Harvia M3
WKM3

Harvia M3 SL

Warm up your Harvia M3 SL wood-burning heater from the other side of the sauna wall and enjoy the flames behind its glass door creating a pleasant atmosphere in the room. Relax in front of the glowing fire while waiting for your sauna to heat up for enjoyable bathing on the other side of the wall.

The Harvia M3 SL heater is designed for vigorous bathing in small family saunas. The stone space of the heater always guarantees an enjoyable sauna bath and a hot sauna within a short time. The model has adjustable feet that make installation easier, enabling you to easily find the right height for the smoke outlet. The stove can be equipped with the pipe-model water heater. The outer casing of the stove is made of stainless steel.

Harvia SL heaters allow you to place the benches more freely. Heating water is easy with the pipe mounted water tank which is available separately for the wood-burning heaters.



Harvia M3 SL
WKPM3SL



Harvia Linear 16
WKP160C

Harvia Linear 16

The Harvia Linear 16 heater is a source of glowing heat and pleasant steam for small saunas. The flames visible through the cast-iron-framed glass door create a warm ambience in the sauna. The door can be installed to open on either side.

The fire chamber and combustion air channels of Harvia heaters are designed so that the sauna warms up quickly and the burning is cleaner.



Harvia 50

The Harvia 50 heater is the king of public saunas, designed to provide ample steam for large groups of bathers. The great amount of stones guarantees even heat in a large sauna. The steam given off by the heater contains the age-old spirit of the Finnish sauna tradition. The Harvia 50 heater is designed for camp centres, sports centres and service sector businesses, among others. The heater is painted in a stylish graphite black.



Harvia 50
WK500

Heater	Recommended sauna room size min.-max. m ²	Dimensions (w x d x h) mm	Safety distances to burning materials (without protective sheaths) mm				Weight kg	Stone compartment max. kg
			Ceiling	Sides	Back	Front		
WKP160C	6-13	420 x 450 x 735	1300	300	350	400	46	36
WKPM3	6-13	390 x 430 x 710	1300	300	300	300	45	30
WKM3SL	6-13	390 x (430+220) x 710 (+30)	1300	300	300	300	50	30
WK500	20-50	510 x 720 x 1050 (+30)	1250	500	500	500	160	120

HEATER ACCESSORIES



Harvia steel chimneys

Made of stainless steel, Harvia steel chimneys are heat-insulated, withstand high temperatures, so ideal for detached sauna buildings. The modular chimneys are easy to install in a variety of saunas, such as detached sauna buildings and barrel saunas. With extensions, the pipes can be made up to five meters long. The extensions increase the length by either 50 cm or one meter at a time. The threads on the pipes make for very easy installation. The chimney damper module can be used to reduce heat loss in the sauna building after bathing. The installation is easy to complete with the appropriate package that contains everything you need, such as the rain collar, heat insulation and decorative shields for the lead-through. Harvia steel chimneys and their modules are CE-approved.

Build a chimney solution that is the right fit for you

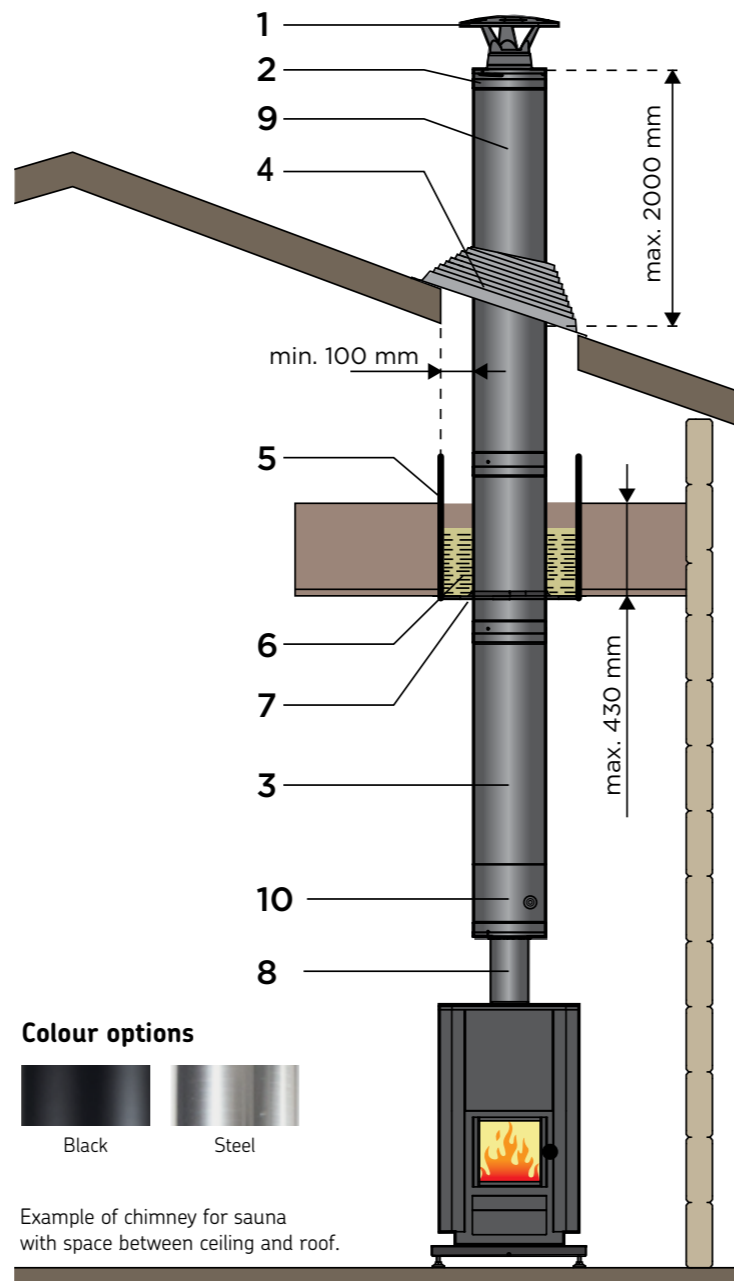
Steel chimney set WHP1500M

- 1 Rain cap
- 2 Upper end
- 3 Steel chimney
- 4 Rain flange (rubber) and clamp
- 5 Lead-through protector
- 6 Lead-through insulation
- 7 Lead-through flange
- 8 Uninsulated flue pipe 1 m (cut to suitable length)

Additional modules to steel chimney

- 9 Steel chimney extension 1,0 m WHP1000M
- 10 Damper for steel chimney, WHP270SPM

Carefully read through the instructions for the use and installation of the steel chimney and the fireplace or heater connected to it.

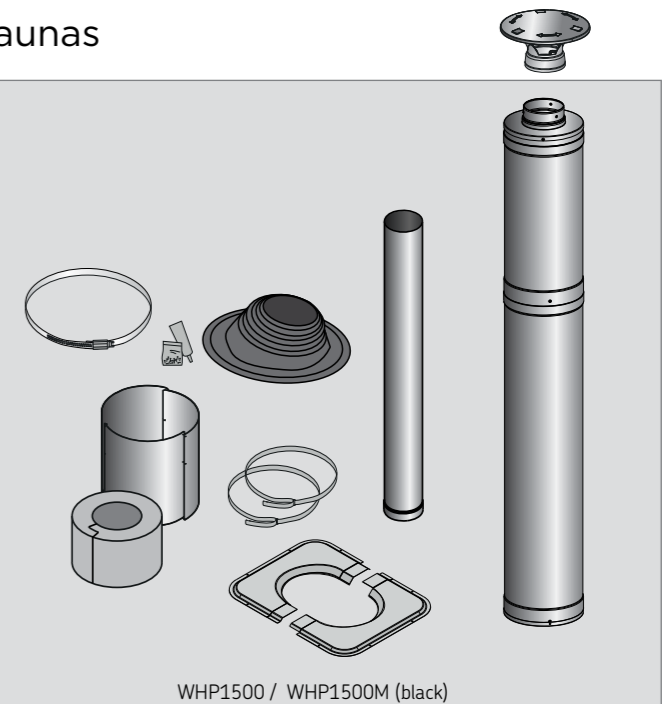


Steel chimney set for traditional saunas

Steel chimney starter kit for a traditional detached sauna building with a sloping roof and roof insulation between ceiling and roof. The starter kit enables you to complete the installation, heat insulation and waterproofing. The starter kit pipe is 1.5 meters high, and can easily be extended with extra modules. Colors: steel or black.

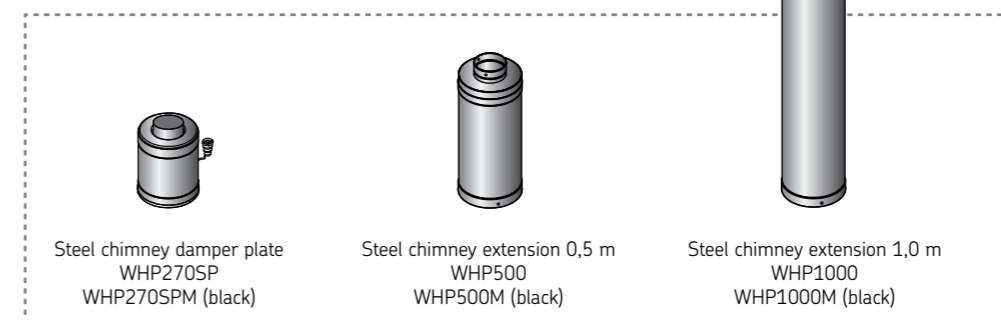
Delivery contents:

- 1.5 m steel chimney
- The box contains 1.0 m of uninsulated smoke pipe, a rain cap, a rain collar made of rubber and a rain collar mounting kit, a steel lead-through flange for the ceiling, and insulation and shield for the lead-through.



Additional modules

Suitable for starter kits or accessory kits sold separately.

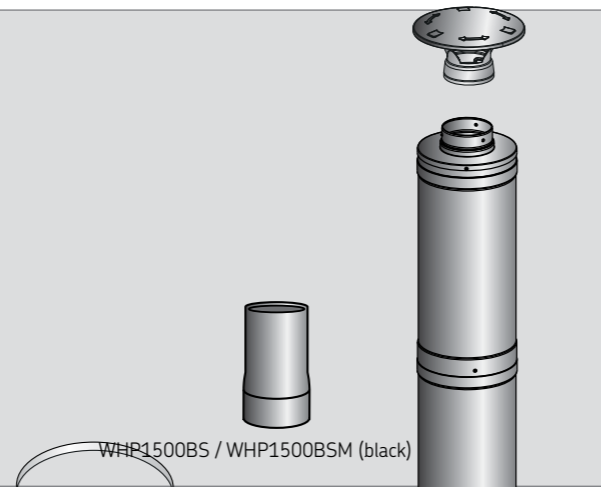


Steel chimney set for barrel saunas

Starter kit for steel chimney for barrel saunas. The starter kit enables you to complete a barrel sauna installation and water-proofing. The starter kit pipe is 1.5 meters high, and can easily be extended with extra modules. Colors: steel or black.

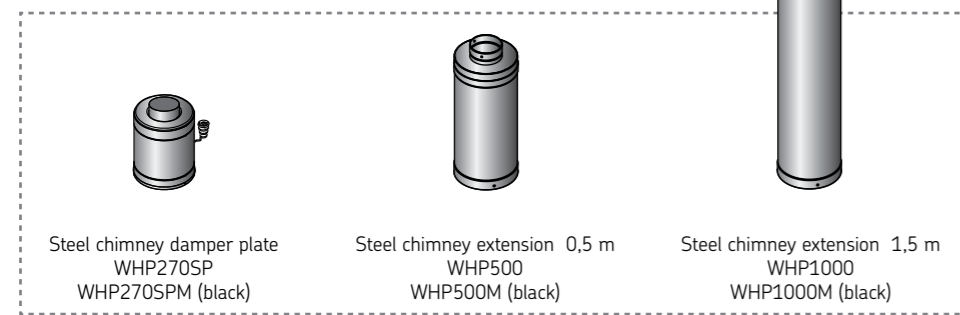
Delivery contents:

- 1.5 m steel chimney
- Accessory box containing rain cap, rain collar made of rubber, rain collar mounting kit, and a steel lead-through flange for the ceiling.



Additional modules

Suitable for starter kits or accessory kits sold separately.



Steel chimney damper plate
WHP270SP
WHP270SPM (black)

Steel chimney extension 0,5 m
WHP500
WHP500M (black)

Steel chimney extension 1,5 m
WHP1000
WHP1000M (black)

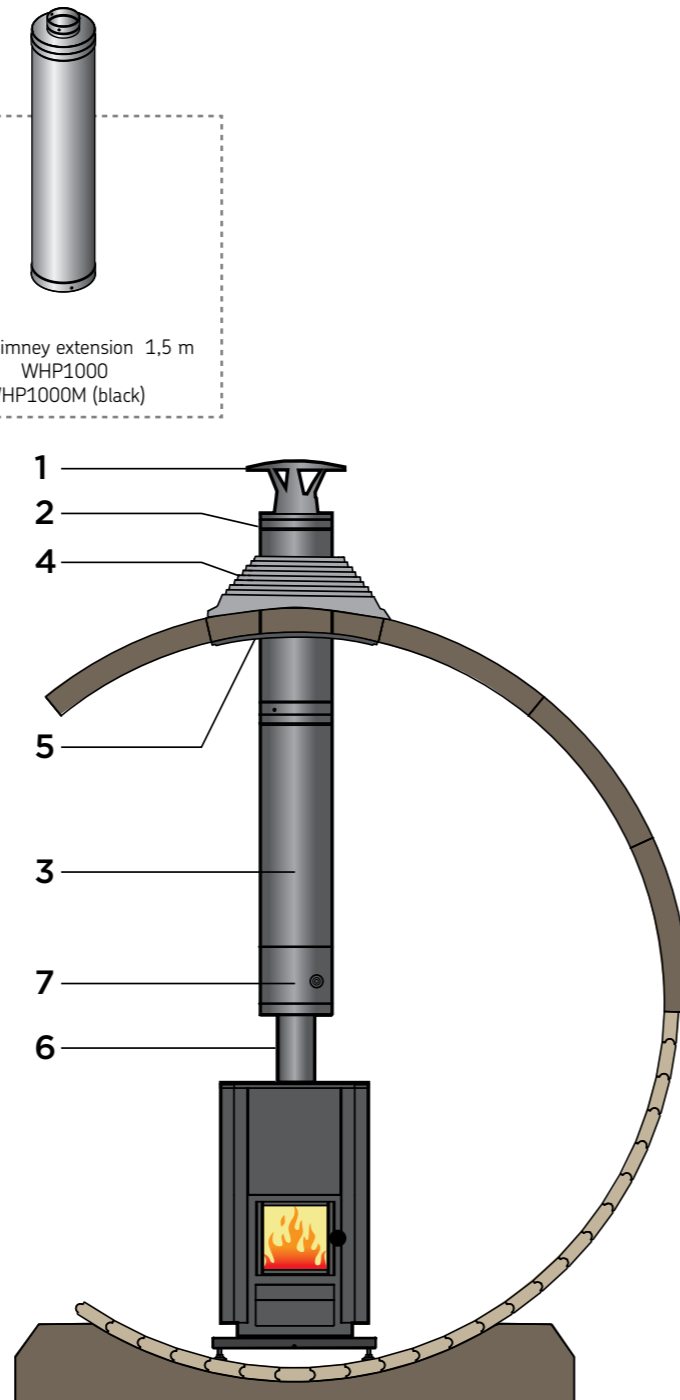
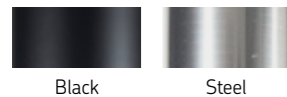
Steel chimney set WHP1500BSM

- 1 Rain cap
- 2 Upper end
- 3 Steel chimney
- 4 Rain flange (rubber) and clamp
- 5 Lead-through flange
- 6 Uninsulated flue pipe 1 m (cut to suitable length)

Additional modules to steel chimney

- 7 Damper for steel chimney, WHP270SPM

Colour options

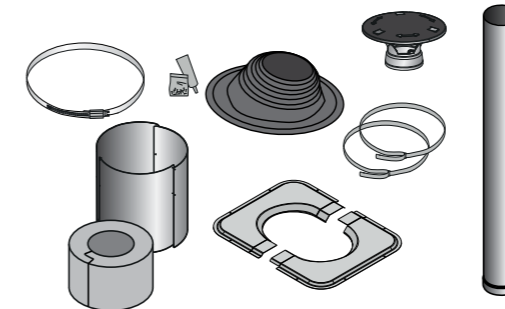


Example of chimney for barrel sauna

Customized solutions

Accessory kits for steel chimney for a sloping roof

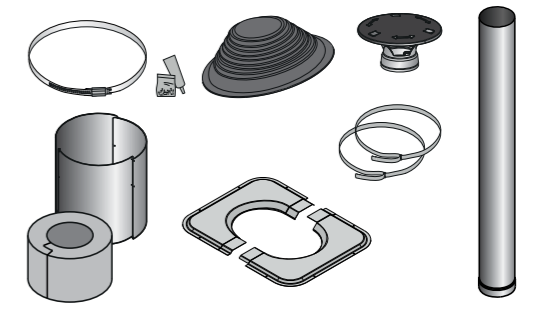
Designed for saunas with a space between ceiling and roof. Includes a rain cap, rain collar for a sloping roof, heat insulation, one meter of steel pipe for connecting to the heater, and other accessories to complete the installation. Colors: steel (WHP-AS) and black (WHP-ASM).



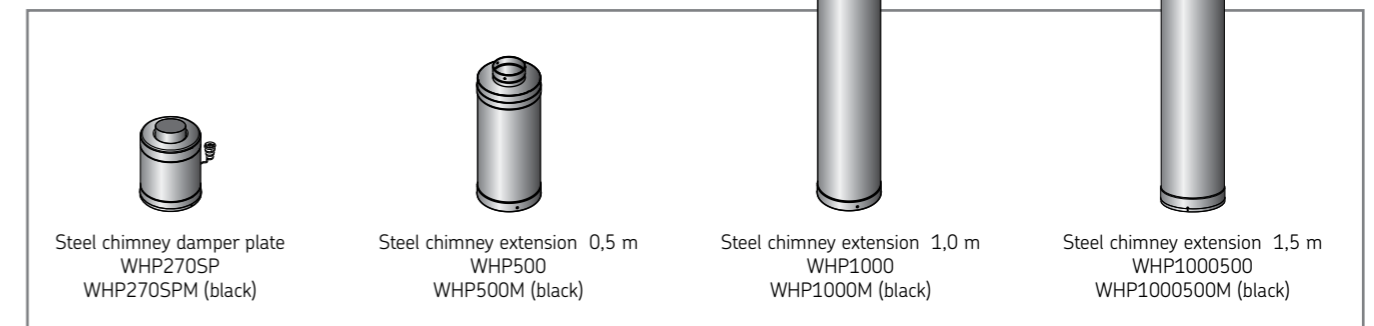
WHP-AS / WHP-ASM (black)

Accessory kits for steel chimney for a straight roof

Designed for saunas with a space between ceiling and roof. Includes a rain cap, rain collar for a straight roof, heat insulation, one meter of steel pipe for connecting to the heater, and other accessories to complete the installation. Colors: steel (WHP-ASSYM) and black (WHP-ASSYMM).



WHP-ASSYM / WHP-ASSYMM (black)

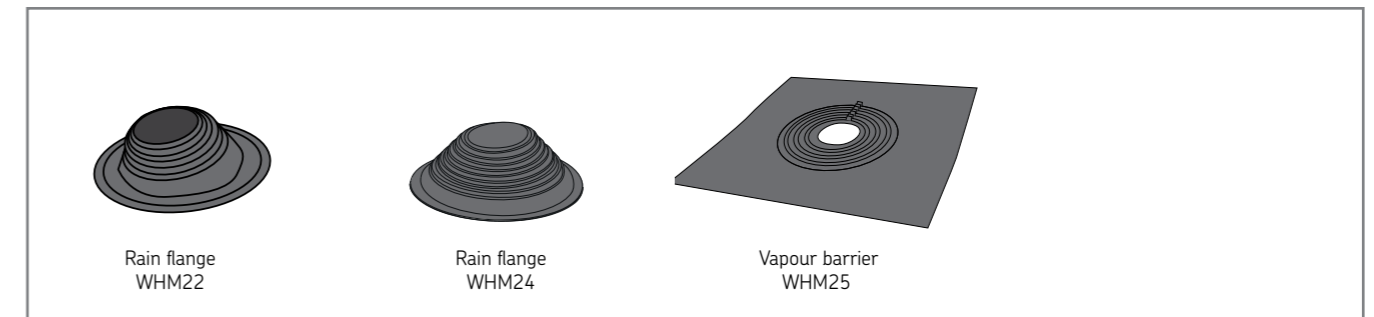


Steel chimney damper plate
WHP270SP
WHP270SPM (black)

Steel chimney extension 0,5 m
WHP500
WHP500M (black)

Steel chimney extension 1,0 m
WHP1000
WHP1000M (black)

Steel chimney extension 1,5 m
WHP1000500
WHP1000500M (black)



Rain flange
WHM22

Rain flange
WHM24

Vapour barrier
WHM25

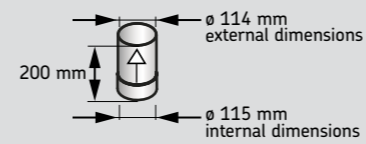


Smoke pipes

Smoke pipes made of stainless or powder-coated steel are available for all wood-heated Harvia heaters (excluding Harvia 50). Harvia smoke pipes are CE marked.

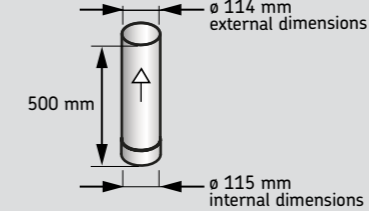
SMOKE PIPE 0,2 m

WZ11520, stainless steel 0,7 mm



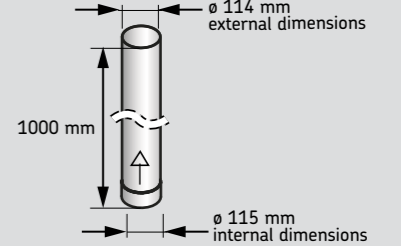
SMOKE PIPE 0,5 m

WZ050M, painted steel 2,0 mm
WZ11550, stainless steel 0,7 mm



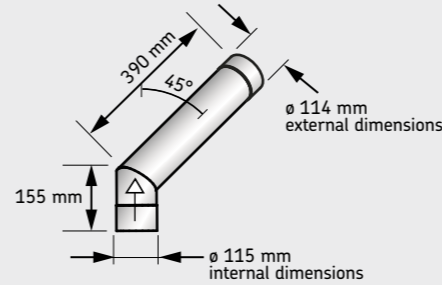
SMOKE PIPE 1,0 m

WZ100M, painted steel 2,0 mm
WZ115100, stainless steel 0,7 mm

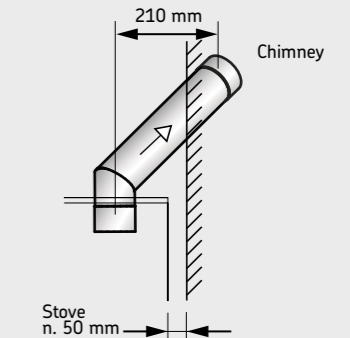
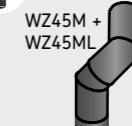
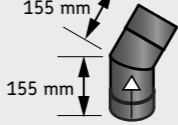


ANGLE PIPE 45°

WZ45M, painted steel 2,0 mm
WZ45ST, stainless steel 0,7 mm

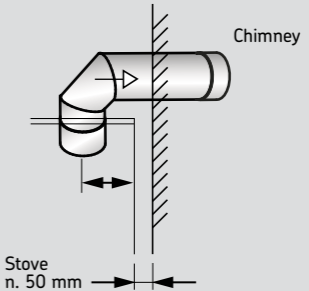
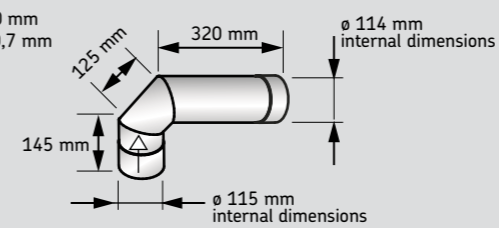


WZ45ML, painted steel 2,0 mm



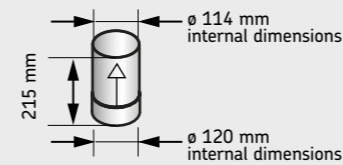
ANGLE PIPE 90°

WZ90M, painted steel 2,0 mm
WZ90ST, stainless steel 0,7 mm



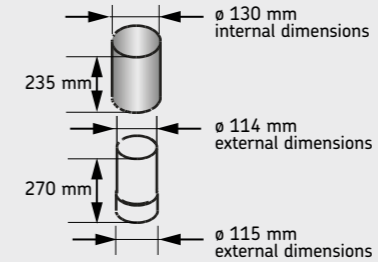
REDUCING PIPE 120/115

WZ115120, stainless steel 0,7 mm



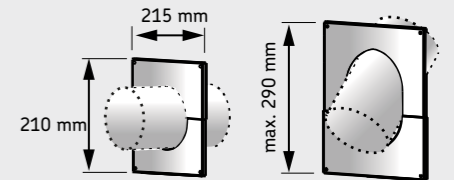
RADIATION COVER

WZ020130, stainless steel 0,7 mm



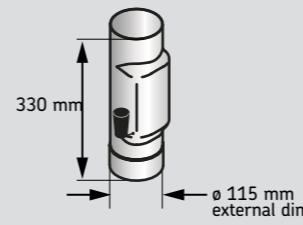
LEAD-THROUGH FLANGE

WZ020115, stainless steel 0,7 mm



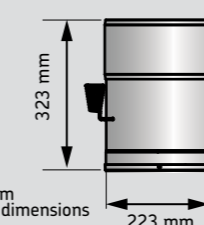
DAMPER PLATE

WZ115030SP,
stainless steel 0,7 mm



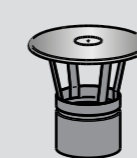
DAMPER PLATE

WHP270SP, stainless steel
WHP270SPM, black



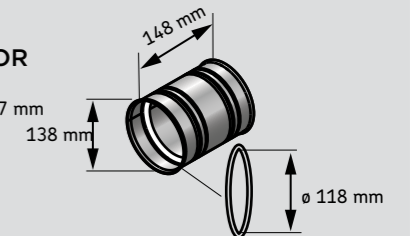
RAIN CAP

WZ030115,
stainless steel 0,7 mm



MASONRY CONNECTOR

WZ011115,
stainless steel 0,7 mm



The masonry connector is connected to the flue opening and does not require other seals – easy and clean. The inner side has a seal. The masonry connector can be used in the back and upper connection.



See page 43
for compatible
protective
bedding

Protective sheaths

The durable, tested and safe Harvia protective sheaths significantly shorten the safety distances to combustible materials; in practice, this helps the heater fit into a smaller space. The settling of log walls does not prevent the use of a protective sheath. Together, a Harvia protective sheath and a CE marked Harvia heater form a tested functional whole.

The protective sheath is attached to the heater and conforms to the shape of the heater, making the combination sleek. As the protective sheaths are heater model-specific, no compromises have been made in terms of design or performance.

Protective sheaths are available both as a full version and as one-sided sheaths that can be installed on either side of the heater. The protective sheaths are made from painted, aluminium-zinc-coated steel sheet. Protective sheaths can be installed horizontally as near as 50 millimetres away from combustible materials.

Protective bedding

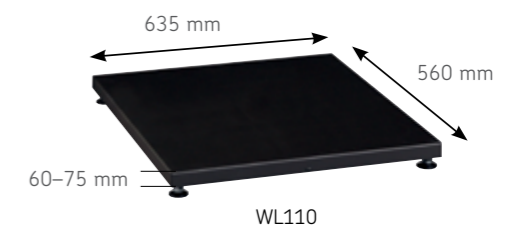
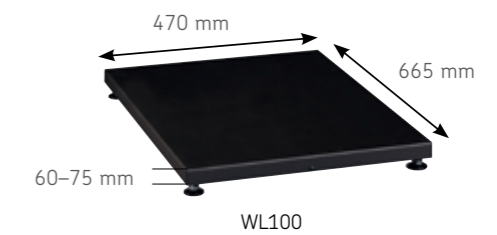
The protective bedding is used when, for example, the fireplace or heater is installed onto a waterproofed tile floor.

Please note! The floor in front of the fireplace or heater must be covered with a floor protector.



Protective sheat		Heater
	WL400	M3 M3SL
	WL425	Harvia 16
	WL450	M3 M3SL
	WL475	Harvia 16
	WL500	Pro 20 Pro 20 LS Pro 20 RS Pro 20 Pro 20 SL Pro 20 Duo
	WL525	22 GreenFlame
	WL530	22 GreenFlame ES
	WL550	Pro 20 Pro 20 Pro 20 SL Pro 20 Duo
	WL575	22 GreenFlame
	WL580	22 GreenFlame ES
	WL585	22 GreenFlame LS 22 GreenFlame RS

Protective sheat		Heater
	WL590	Pro 20 LS Pro 20 RS
	WL600	Pro 20 ES
	WL650	Pro 20 ES
	WL700	Pro 26
	WL750	Pro 26
	WL800	Pro 36 Pro 36 Duo
	WL850	Pro 36 Pro 36 Duo
	WL200	Legend 150 Legend 150 SL Legend 240 GreenFlame Legend 240 SL/Duo Legend 300 Legend 300 Duo



Sauna heater stones

Olivine diabase

Durable in structure and high in specific gravity, olivine diabase retains and dissipates heat well, offering an excellent steam bath.

- AC3000, Ø 5–10 cm, 20 kg/box
- AC3020, Ø 10–15 cm, 20 kg/box

Elite Pro Heavy Duty

Elite Pro Heavy Duty sauna heater stones are made from the finest Finnish olivine diabase and heat-treated at approximately 1,000 °C, resulting in a long service life and making them an excellent choice for frequently heated public saunas.

- AC3050, Ø 5–10 cm, 20 kg/box
- AC3055, Ø 10–15 cm, 20 kg/box

Black vulcanite

These dark sauna heater stones are made of fine-grained, dark grey volcanic rock. When wet, they turn black, adding a unique touch to the look of the sauna.

- AC3040, Ø 5–10 cm, 20 kg/box
- AC3045, Ø 10–15 cm, 20 kg/box

Rounded sauna heater stones

The rounded olivine diabase sauna heater stones resemble round natural stones that can be found for example in larger rapids, adding an impressive finish to the surface layer of the sauna heater. If you have a heater with a small stone space, whether it is an electric heater or woodburning stove, we recommend round stones on top of split-face stones, as this increases the evaporation surface lower down in the stone space. This prevents the water from flowing directly past the stone space. This combination enables a pleasant steam and efficient heat generation.

- R-991, Ø 5–10 cm, 15 kg/box
- R-995, Ø 10–15 cm, 20 kg/box

Decorative stones

Red Granite decorative stone

Red granite is an impressive decorative stone that ensures a soft steam bath and a warm atmosphere in the sauna.

- AC5000, Ø 5–10 cm, 10 kg/box

White decorative stones

White decorative stones ensure a soft steam bath and add a fresh and clean touch to the sauna.

- AC4000, Ø 5–10 cm, 10 kg/box



Annual change of sauna stones:

- extends the service life of the heater
- saves energy
- keeps the sauna clean
- guarantees the best sauna experience



Harvia Duo glass wall

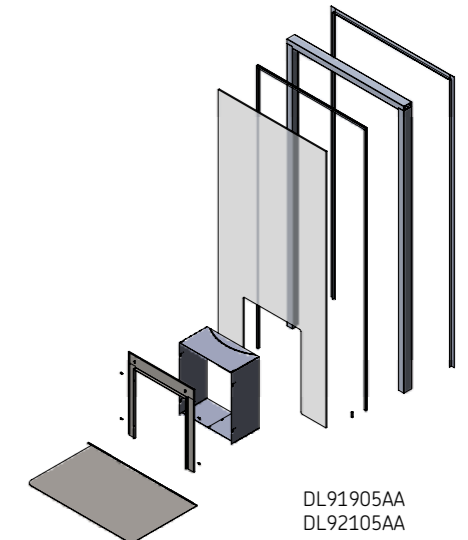
The Harvia Duo glass wall is a brilliant innovation. Designed for use with Harvia Duo heaters, the glass wall is not only a decorative element, but a way to share light and heat between the sauna and the sitting room. The glass releases more heat to the sitting room than masonry walls, and does so much more quickly.

You can also install the heater and the glass wall so that the heater door opens to your patio and the glass wall allows natural light to illuminate the sauna. The light-coloured satin glass wall also makes it possible to bring large glass surfaces to outdoor saunas.

The Duo glass wall is compatible with all Harvia Duo heaters.

The Duo glass wall is an easy solution

- no masonry
- the delivery contains all the necessary parts, including plating for covering the fire chamber extension and a floor protector
- get the benefits of the Duo heater in the sauna room: the room stays tidy and you can place the benches as freely as in an electric sauna



Product	Product size				Glass, thickness 8 mm	
	Aluminium frame mm	Frame colour	Frame depth mm	Weight kg	Size mm	Colour**
DL91905AA	890 x 1890*	white	60	39	820 x 1820	Satin
DL92105AA	890 x 2050*	white	60	43	820 x 2020	Satin

* Installation hole size with frames DL91905AA = min. 900 x 1,900 mm, DL92105AA = min. 900 x 2,100 mm.

** The glass does not contain iron, which is why it has no tint of green, instead being fully white.

WATER HEATING



Harvia cauldron 50 litres

Thanks to the structure of the fire chamber of the 50-litre cauldron, the burning process is smooth and the heat is focused directly under the inner cauldron, heating up the water efficiently. The replaceable fire chamber makes the product long-lasting.

The outer casing of the Harvia cauldron 50 l is made of stainless steel.

Dimensions: width 435 mm, depth 500 mm, height 700 mm, weight 36 kg, smoke outlet diameter 115 mm



WP500

Harvia cauldron 80 litres

The traditional vermiculite insulation of the 80-litre cauldron keeps the outer surface of the cauldron cooler. The outer casing of the Harvia cauldron 80 l is painted black.

Dimensions: width 590 mm, depth 590 mm, height 810 mm, weight 85 kg, smoke outlet diameter 140 mm



WP800

Harvia pipe model water heater

The pipe model water heater (22 l) is installed directly on top of the heater. The water heats up quickly, as the smoke pipe running through the tank also acts as a wall inside it. Suitable for all wood-heated Harvia heaters, with the exception of Harvia 50.

Dimensions: width 355 mm, depth 190 mm, height 410 mm, smoke outlet diameter 115 mm



WP220ST

Legend water heater, 25 litres

Perfectly compatible with Legend heaters, the pipe model water heater quickly heats up your bathwater. The 25-litre water heater will crown your Legend heater the king of all cottage saunas. The tap solution of the Legend water heater is placed away from the hot water tank and the heater. This makes the tap safer to use, as there is no fear of hot water splashes.

Dimensions: width 360 mm, depth 360 mm, height 910 mm (water tank height 450 mm), weight 10 kg



WP250LD

Harvia Thermio water heater, 25 litres

The stylish steel outer shell of the Thermio water heater suits any sauna. The Thermio water heater heats the water quickly, as the smoke pipe acts as a wall in the water tank. The tap solution is placed away from the hot water tank and the heater. The tap can be installed in three different ways onto the benches or the wall. This makes the tap safer to use, as there is no fear of hot water splashes.

Dimensions: width 360 mm, depth 280 mm, height 910 mm (water tank height 450 mm), weight 7 kg, smoke outlet diameter 115 mm



WP250TH

A safe tap solution

The tap is placed away from the hot water tank and the heater in the Legend and Thermio water heaters. A silicone hose measuring a few metres is attached to the bottom of the water tank, with a water tap at the other end.

The tap can be installed under the edge of the bench with a fixing bracket or embedded into the board at the edge of the bench. The tap can also be secured to the wall with a fixing bracket.



Harvia electric water heater

The Harvia electric water heater is mounted onto a wall. The easy-to-use and efficient water heater is designed for places where no hot tap water is available, such as summer cottage saunas and kitchens, public rest cabins, and hostels. The tank holds 27 litres. The water is heated by the heating element located at the bottom of the tank, which also makes the heater easy to clean. The temperature can be adjusted conveniently with the thermostat. Choose reliable and durable Harvia quality and treat yourself with warm washes and sauna experiences.

Dimensions: width 420 mm, depth 210 mm, height 400 mm



WP350ST

SAUNA ACCESSORIES



For more sauna accessories, go to www.harvia.com

Sauna buckets and ladles



Bucket and ladle
SAC10111



Sauna accessories set, Steel
SA006



Sauna accessories set, Black steel
SA007



Legend bucket
SASPO100

Legend ladle
SASPO101

Scents



Sauna scents 400 ml
Eukalyptus SAC25021, Pine SAC25023,
Peppermint SAC25024, Birch SAC25022,
Tar SAC25025



Sauna & steam scent set
5x10 ml
SAC25100



Meters



Thermo-hygrometer
A-210-THS



Legend Thermometer
SASP0104



Legend clothes hanger
SASPO103

Textiles



Harvia logo towel
70x140 cm, SAC80401
35x55 cm, SAC80402

#healingwithheat

#healingwithheat towel, 90x170 cm
SAC80400

Maintenance products



Sauna care set
SAC25070



Sauna Heater Cleaner 500 ml
SAC25041



Sauna Cleanser 500 ml
SAC25040



Legend firewood rack
SASPO102

TECHNICAL DATA

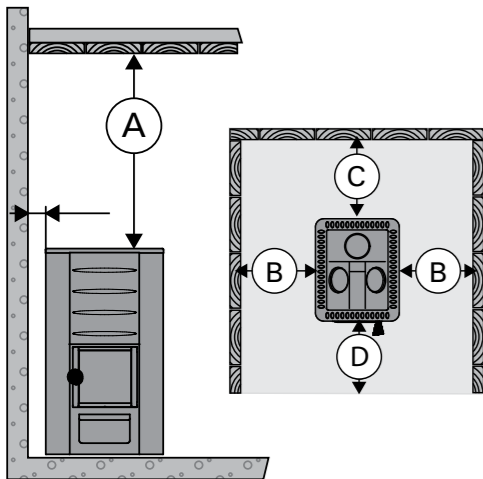
Heater	Product code	Sauna room size min.-max. m ³	Dimensions W x D x H mm	Weight kg	Stone compartment max. kg 1)	Safety distances to combustible materials mm				Sauna room minimum height 2)	Safety distances to burning materials with protective sheath, mm			Smoke outlet diameter, mm	Smoke outlet location, mm			Protective sheath	Protective bedding
						A min	B min	C min	D min		B min	C min	D min		X	Y	Z		
M3	WKPM3	6-13	390 x 430 x 710	45	30	1300	300	300	300	1915 (+60)	80	80	300	115	560	640	120	WL400/WL450	WL100
16	WKP16	6-13	420 x 450 x 735	46	36	1300	300	350	400	2035 (+60)	62	62	400	115	560	635	130	WL425/WL475	WL100
Pro 20	WKP200	8-20	430 x 510 x 760 (+30)	60	40	1300	300	300	300	2060 (+60)	92	92	422	115	560	670	120	WL500/WL550	WL100
Pro 20 ES	WKP200ES	8-20	430 x 650 x 760 (+30)	75	40	1300	300	300	300	2060 (+60)	92	92	422	115	560	670	120	WL600/WL650	WL100
Pro 20 LS	WKLI22GLSM	8-20	580 x 510 x 760 (+30)	65	40	1300	300	300	300	2060 (+60)	92	92	422	115	560	670	120	WL500/WL590	WL110
Pro 20 RS	WKP200RS	8-20	580 x 510 x 760 (+30)	65	40	1300	300	300	300	2060 (+60)	92	92	422	115	560	670	120	WL500/WL590	WL110
Linear 22 GreenFlame	WKLI22GM	9-18	450 x 510 x 770 (+30)	73	40	1265	400	380	500	2035 (+60)	110	110	500	115	558	708	136	WL525/WL575	WL100
Linear 22 ES GreenFlame	WKLI22GESM	9-18	450 x 660 x 770 (+30)	83	40	1265	400	380	500	2035 (+60)	110	110	500	115	558	708	136	WL530/WL580	WL100
Linear 22 LS GreenFlame	WKP22GLSM	9-18	550 x 510 x 770 (+30)	78	40	1265	400	380	500	2035 (+60)	110	110	500	115	558	708	136	WL525/WL585	WL110
Linear 22 RS GreenFlame	WKLI22GRSM	9-18	550 x 510 x 770 (+30)	78	40	1265	400	380	500	2035 (+60)	110	110	500	115	558	708	136	WL525/WL585	WL110
Pro 26	WKP260	10-26	430 x 510 x 810 (+30)	65	50	1280	375	375	375	2090 (+60)	103	103	526	115	690	750	130	WL700/WL750	WL100
Pro 36	WKP360	14-36	510 x 510 x 810 (+30)	70	60	1250	500	500	500	2060 (+60)	120	120	422	115	680	750	130	WL800/WL850	WL110
Legend 150	WK150LD	6-13	530 x 530 x 740 (+30)	58	120	1000	200	250	500	1740 (+60)	65	65	500	115	560	640	180 ± 5	WL200	WL100
Legend 240 GreenFlame	WK200LD	10-20	600 x 600 x 830 (+30)	82	200	1200	200	250	630	2035 (+60)	65	65	630	115	560	670	200 ± 5	WL200	WL100
Legend 300	WK300LD	14-28	600 x 660 x 1040 (+30)	94	260	1000	200	250	680	2040 (+60)	65	65	680	115	690	750	210 ± 5	WL200	WL100
50	WK500	20-50	510 x 720 x 1050 (+30)	160	120	1250	500	500	500	2250 (+60)	-	-	-	140	890	1090	130	-	-

Heater	Product code	Sauna room size min.-max. m ³	Dimensions W x D x H mm	Weight kg	Stone compartment max. kg 1)	Safety distances to combustible materials mm				Sauna room minimum height 2)	Safety distances to burning materials with protective sheath, mm			Smoke outlet diameter, mm	Smoke outlet location, mm			Protective sheath	Protective bedding
						A min	B min	C min	D min		B min	C min	D min		X	Y	Z		
M3 SL	WKM3SL	6-13	390 x (430 + 220) x 710 (+30)	50	30	1300	300	300	300	1915 (+60)	300	300	300	115	210	390	150	WL400/WL450	WL100
Pro 20 SL	WK200SL	8-20	430 x (510 + 220) x 760 (+30)	70	40	1300	300	300	300	2060 (+60)	300	300	300	115	210	390	150	WL500/WL550	WL100
Pro 20 Duo	WK200SLUX	8-20	430 x (510 + 280) x 760 (+30)	80	40	1300	300	300	300	2060 (+60)	300	300	300	115	405	485	150	WL500/WL550	WL100
Pro 36 Duo	WK300SLUX	14-36	510 x (510 + 280) x 810 (+30)	80	60	1250	500	500	500	2060 (+60)	500	500	500	115	405	485	150	WL800/WL850	WL110
Legend 150 SL	WK150DSL	6-13	530 x (530 + 200) x 740 (+30)	62	120	1000	200	250	500	1740 (+60)	200	250	500	115	210	390	150	WL200	WL100
Legend 240 SL	WK240DSL	10-24	600 x (600 + 180) x 830 (+30)	82	200	1000	200	250	630	1830 (+60)	200	250	630	115	210	390	150	WL200	WL100
Legend 240 Duo	WK240DLUX	10-24	600 x (600 + 180) x 830 (+30)	95	200	1000	200	250	630	1830 (+60)	200	250	630	115	405	485	120	WL200	WL100
Legend 300 Duo	WK300DLUX	15-30	600 x (660 + 120) x 1040 (+30)	99	260	1000	200	250	700	2040 (+60)	200	250	700	115	405	485	120	WL200	WL100

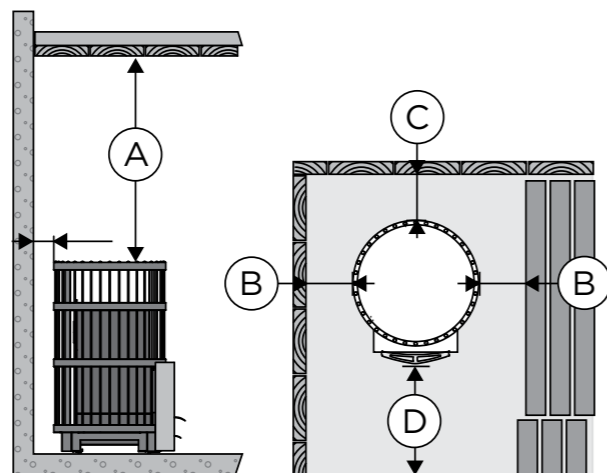
1) The amount of stones the stone compartment can hold varies depending on the consistency and shape of the stones as well as how they are arranged. Harvia recommends stones measuring 10-15 cm in diameter for wood-heated heaters.

2) The heater protective bedding increases the minimum height by about 60 mm.

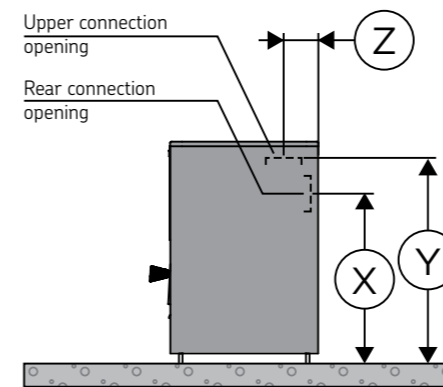
TRADITIONAL HEATERS



PILLAR HEATERS



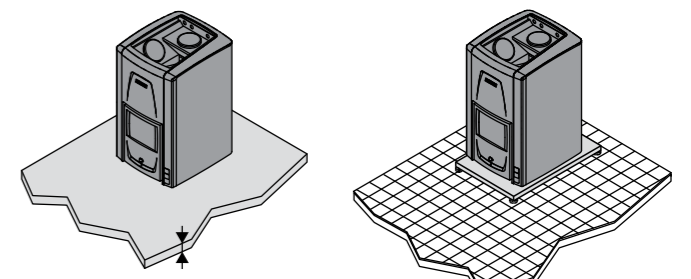
CONNECTION OPENINGS



PROTECTING THE FLOOR

Concrete floor without tiles. The heater can be installed directly on a concrete floor if the concrete is at least 60 mm thick. Make sure that there are no wires or water pipes in the concrete cast below the heater.

Tile floor. The floor glues and plasters as well as the waterproof materials used below the tiles are not resistant to the heat radiation from the heater. Protect the floor with Harvia's protective bedding or other similar protection from heat radiation.





Healing with heat

The largest manufacturer of sauna heaters in the world has the right heater for every sauna.



Healing with heat

Established in 1950 by Tapani Harvia, the company bearing his name has grown into an international sauna and spa company. We can provide everything you need for your sauna. In a Harvia sauna, the key elements of nature – wood, stone and water – combine to create an oasis of relaxation. The sauna is a comprehensive experience to enjoy wellbeing arising from Finnish sauna traditions. The gentle heat of sauna has a positive effect on your health. Its beneficial effects include better blood circulation, lower risk of heart disease, muscle recovery, better sleep, reduced stress and better relaxation both physically and mentally.



MUURAME, SUOMI