

Wood burning heater Harvia Pro 20 ES black

WK200ES

A popular choice for cottage saunas, Harvia 20 ES Pro is a practical stove that provides a good, hot sauna bath. The 20-litre water container at the front of the stove is easy to use. Water will be heated by the time your sauna is ready for bathing. Through the cast-iron glass door the warm glow of the fire adds to the sauna atmosphere. The sturdy 10 mm fire space cover ensure durability. The stove features a big stone space and an air-flow spoiler made of stainless steel. The stove is also equipped with adjustable legs. The outer casing of the Harvia 20 ES Pro stove is painted graphite black.



Features

Main material : Steel

H x W x D : 760.0 x 430.0 x 650.0 mm

Net weight (kg) : 76.1

Stone amount (kg) : 40.0

| ID | GTIN | Power | Sauna room size min - max m3 |
|---------|---------------|---------|------------------------------|
| WK200ES | 6417659001076 | 24.1 kW | 8.0-20.0 |

Related products



WL100



WL100

Spare parts

| Product | ID | Pcs |
|----------------------------|----------|-----|
| Furnace grate | ZKIP-10 | 1 |
| Connection pipe | ZKIP-130 | 1 |
| Ashpan Pro 2019 | Z2ES-127 | 1 |
| Hinge pin | ZKIP-50 | 1 |
| Heater body PRO 20 ES | Z2ES-1 | 1 |
| Air-flow spoiler Pro 20 ES | Z2ES-221 | 1 |
| | ZES-146 | 1 |

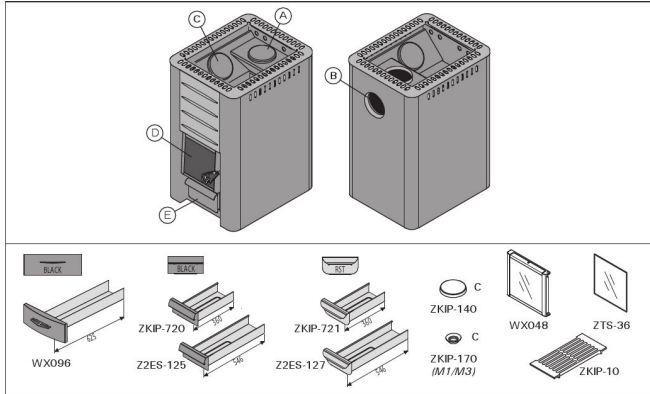
Technical details

| Technical data | Type / attribute | WK200ES |
|--|--|-----------|
| | Color | Black |
| | Power output | 24.1 kW |
| | Stone sizes | 10-15 cm |
| | Stone amount (kg) | 40 |
| Dimensions | Product width (mm) | 430 |
| | Product height (mm) | 760 |
| | Product depth (mm) | 650 |
| | Net weight (kg) | 76.1 |
| | Gross weight | 78.8 |
| | Package width | 515 |
| | Package height | 800 |
| | Package depth | 745 |
| Connections | Flue connection locations | Back, Top |
| | Chimney connection diameter | 115 |
| Safety and installation dimensions | Safety distance front (non-combustible materials) | 300 |
| | Safety distance front (combustible materials) | 300 |
| | Safety distance right side (combustible materials) | 300 |
| | Safety distance right side non-combustible materials | 100 |
| | Safety distance left side (combustible materials) | 300 |
| | Safety distance left side non-combustible materials | 100 |
| | Safety distance behind (non-combustible materials) | 100 |
| | Safety distance behind (combustible materials) | 300 |
| | Safety distance (Ceiling) (depends on connections and therefore from output, star/delta) | 1300 |
| Room min. height(depends on connections and therefore from output, star/delta) | 2090 | |

Technical images

1.1. Stove Parts

- A. Upper connection opening
- B. Rear connection opening
- C. Soot opening
- D. Stove door
- E. Ash box



Stove parts. Note! Only use replacement parts recommended by the manufacturer. Unauthorised modification of the stove is prohibited.

| | A min. | B min. | C min. | D min. |
|---|--------|--------|--------|--------|
| M1, M2, M3/SL, Classic 140 | 1200 | 250 | 300 | 300 |
| 20 Pro, 20 SL Duo, 20 ES Pro, 20 SL Boiler, Premium VS, Classic 220 Duo, 20 RS/LS Pro | 1300 | 300 | 300 | 300 |
| 26 Pro, Classic 280 | 1280 | 375 | 375 | 375 |
| 36, 36 Duo | 1250 | 500 | 500 | 500 |
| Linear 16, 16 | 1300 | 300 | 350 | 400 |
| Linear 22, 22/S, Linear 22 RS/LS/ES, 22 RS/LS/ES | 1265 | 400 | 380 | 500 |
| Linear 28 | 1380 | 400 | 400 | 500 |

Safety distances (all dimensions in millimeters)

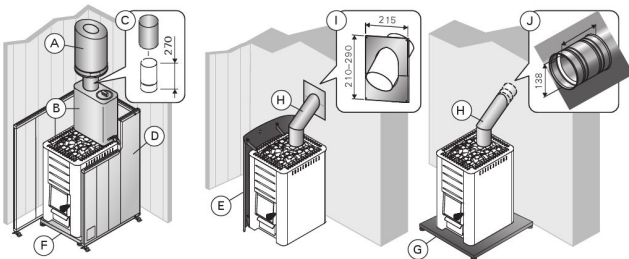
| | B min. |
|--|--------|
| WX017 | 300 |
| M1, M2, M3/SL, 20 Pro, 20 SL Duo, 20 ES Pro/S, 20 SL Boiler, Premium VS, Classic 140/SL, Classic 220 Duo | 375 |
| 26 Pro, Classic 280 | 300 |
| Linear 16, 16 | 300 |
| Linear 22/28, Linear 22 ES, 22 ES S, 22/S | 400 |

| | B min. | C min. | D min. | F |
|---|--------|--------|--------|----|
| WL400/WL450 | 50 | 50 | 300 | 30 |
| M1, M2, M3/SL, 20 Pro, 20 SL Duo, 20 ES Pro/S, 20 SL Boiler | 62 | 62 | 422 | 30 |
| WL500/WL550 | 73 | 73 | 526 | 30 |
| 20 SL Boiler, 20 ES Pro/S | 90 | 90 | 700 | 30 |
| WL700/WL750 | 62 | 62 | 422 | 30 |
| 26 Pro, 36, 36 Duo | 30 | 30 | 400 | 32 |
| WL800/WL850 | 70 | 70 | 500 | 40 |
| WL500/WL590 | | | | |
| 20 RS/LS Pro, Linear 16, 16 | | | | |
| WL425/WL475 | | | | |
| Linear 16, 16 | | | | |
| WL525/WL575 | | | | |
| Linear 22, 22/S | | | | |
| WL525/WL585 | | | | |
| Linear 22 RS/LS, 22 RS/LS S | | | | |
| WL530/WL580 | | | | |
| Linear 22 ES, 22 ES S | | | | |
| WL725/WL775 | | | | |
| Linear 28 | | | | |

Safety distances with protective sheaths (all dimensions in millimeters)

3.4. Accessories

- A. Harvia steel chimney WHP1500.
- B. Water heater VL221. Installed on the top of the upper connection opening. When a protective sheath or other protection is used that is not large enough to protect the inflammable materials around the stove from the heat radiation of the pipe between the water heater and smoke flue, you must install a radiation cover around the pipe.
- C. Radiation cover WZ020130. Installed around the smoke pipe.
- D. Harvia protective sheath WX017.
- E. Harvia protective sheath WL400-WL775.
- F. Harvia protective bedding WX018, WL100. (not for models 20 RS/LS Pro, 36, 36 Duo, Premium VS, Linear 22 RS/LS, 22 RS/LS S).
- G. Harvia protective bedding WL110 (not for models 20 ES Pro/S, Linear 22 ES, 22 ES S).
- H. Angle smoke pipe. Different models.
- I. Lead-through flange for smoke pipe WZ020115. Covers the edges of the flue opening and the sealing in the wall. Made of stainless steel. Consists of two parts to make it useable with differently inclined smoke pipes.
- J. Masonry connector WZ011115. Connected to the flue opening, does not require other seals. The inner side already has a seal.



Accessories (all dimensions in millimeters)

| | B min. | C min. | D min. | F |
|---|--------|--------|--------|---|
| WX017 | 300 | | | |
| M2, M3/SL, 20 Pro, 20 ES Pro/S, Classic 220 | | | | |
| Linear, 22 | | | | |

| | B min. | C min. | D min. | F |
|------------------|--------|--------|--------|---|
| WL200 Legend 150 | | | | |
| Legend 150 SL | | | | |

Harvia protective sheaths (all dimensions in millimeters)