

Wood burning heater Harvia Pro 20 SL black

WK200SL

The Harvia 20 SL wood-heated stove provides twice the opportunities to enjoy heat. The stove is placed in the sauna and the firewood is inserted into the fire chamber from the other side of the wall.



Features

Main material : Steel

H x W x D : 760.0 x 430.0 x 730.0 mm

Net weight (kg) : 62.5

Stone amount (kg) : 40.0

ID	GTIN	Power	Sauna room size min - max m3
WK200SL	6417659005708	24.1 kW	8.0-20.0

Related products



WL100

Spare parts

Product	ID	Pcs
Ashpan ES/SL	ZZES-125	1
Furnace grate	ZKIP-10	1
Connection pipe	ZKIP-130	1
Hinge pin	ZKIP-50	1
Stove body 20 SL	ZROST-300SL	1
Handle for stove + screws	ZKIP-670	1
Air flow spoiler Pro 2019	ZROST-601	1

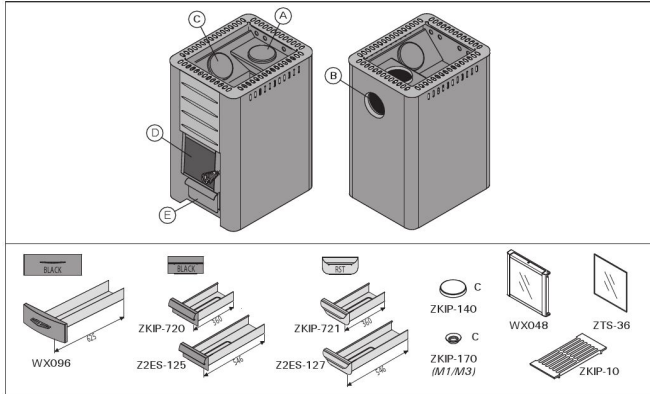
Technical details

Technical data	Type / attribute	WK200SL
	Color	Black
	Power output	24.1 kW
	Stone sizes	10-15 cm
	Stone amount (kg)	40
Dimensions	Product width (mm)	430
	Product height (mm)	760
	Product depth (mm)	730
	Net weight (kg)	62.5
	Gross weight	65.6
	Package width	740
	Package height	765
	Package depth	480
Connections	Flue connection locations	Top
	Chimney connection diameter	115
Safety and installation dimensions	Safety distance front (non-combustible materials)	300
	Safety distance front (combustible materials)	300
	Safety distance right side (combustible materials)	300
	Safety distance right side non-combustible materials	100
	Safety distance left side (combustible materials)	300
	Safety distance left side non-combustible materials	100
	Safety distance behind (non-combustible materials)	100
	Safety distance behind (combustible materials)	300
	Safety distance (Ceiling) (depends on connections and therefore from output, star/delta)	1300
Room min. height(depends on connections and therefore from output, star/delta)	2060	

Technical images

1.1. Stove Parts

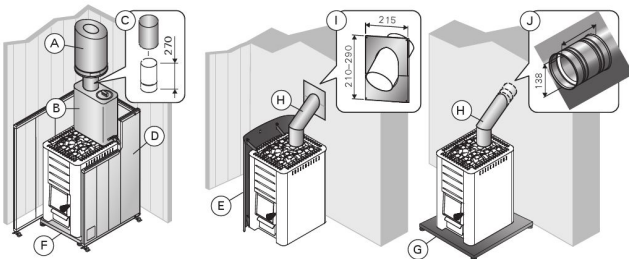
- A. Upper connection opening
- B. Rear connection opening
- C. Soot opening
- D. Stove door
- E. Ash box



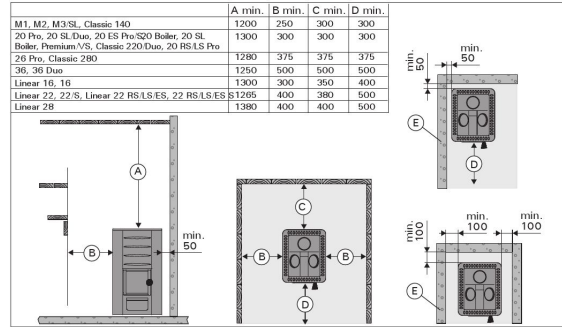
Stove parts. Note! Only use replacement parts recommended by the manufacturer. Unauthorised modification of the stove is prohibited.

3.4. Accessories

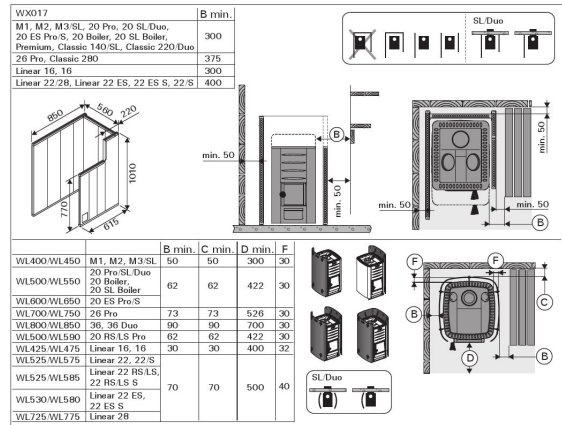
- A. Harvia steel chimney WHP1500.
- B. Water heater VL221. Installed on the top of the upper connection opening. When a protective sheath or other protection is used that is not large enough to protect the inflammable materials around the stove from the heat radiation of the pipe between the water heater and smoke flue, you must install a radiation cover around the pipe.
- C. Radiation cover WZ020130. Installed around the smoke pipe.
- D. Harvia protective sheath WX017.
- E. Harvia protective sheath WL400-WL775.
- F. Harvia protective bedding WX018, WL100. (not for models 20 RS/LS Pro, 36, 36 Duo, Premium VS, Linear 22 RS/LS, 22 RS/LS S).
- G. Harvia protective bedding WL110 (not for models 20 ES Pro/S, Linear 22 ES, 22 ES S).
- H. Angle smoke pipe. Different models.
- I. Lead-through flange for smoke pipe WZ020115. Covers the edges of the flue opening and the sealing in the wall. Made of stainless steel. Consists of two parts to make it useable with differently inclined smoke pipes.
- J. Masonry connector WZ011115. Connected to the flue opening, does not require other seals. The inner side already has a seal.



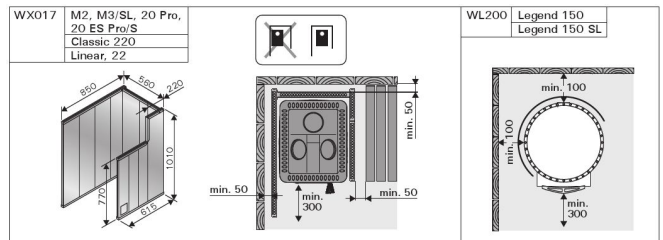
Accessories (all dimensions in millimeters)



Safety distances (all dimensions in millimeters)



Safety distances with protective sheaths (all dimensions in millimeters)



Harvia protective sheaths (all dimensions in millimeters)