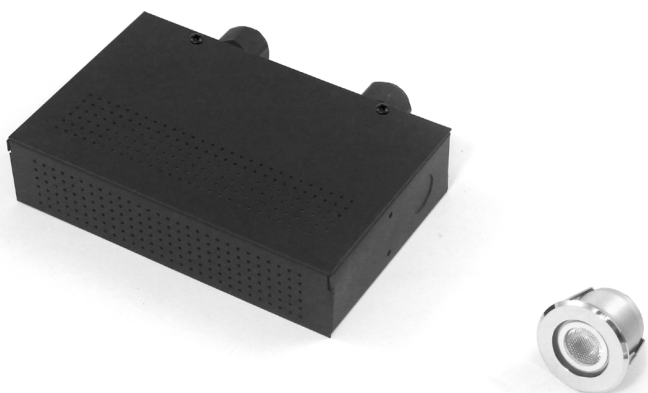


# BATHOLOGY

rediscover bathing



Spectrum 441

Sauna White Light System

Installation and Operation Manual

## **Contents**

<b>Installation Considerations</b> .....	<b>3</b>
<b>Installation</b> .....	<b>4</b>
<b>Product Care</b> .....	<b>9</b>
<b>Specifications</b> .....	<b>10</b>
<b>Replacement Parts</b> .....	<b>10</b>
<b>Notes</b> .....	<b>11</b>

## Installation Considerations

Please read this manual in its entirety prior to installation

**IMPORTANT: DO NOT HOT SWAP ANY ELECTRICAL COMPONENTS.** This will void the warranty, and likely cause the product to fail.

**CAUTION** Carefully review all installation options and instructions before proceeding.

**CAUTION** For safety purposes, use safety goggles at all times.

**!WARNING** Do not hot swap any electrical components. This will void the warranty, and likely cause the product to fail. **Fully disconnect the system from its power source before swapping any electrical components.**

**!WARNING** Check for piping / electrical before cutting or drilling.

**!WARNING** Some electrical components are not waterproof.

**!WARNING** If there is any risk of uninsulated electrical connections in your wall / ceiling area, use insulating gloves.

**!WARNING** The splitters should be kept in an accessible location when installed. Only use the splitters provided when assembling the Brilliance light fixtures and components of this kit.

**!WARNING** The Spectrum 441 Sauna White Light System can be controlled by the use of a light switch provided by others. NEVER place a switch where it can be reached from a tub or shower.

**!IMPORTANT** All wiring must be done in accordance with National Electric Code and local building code.

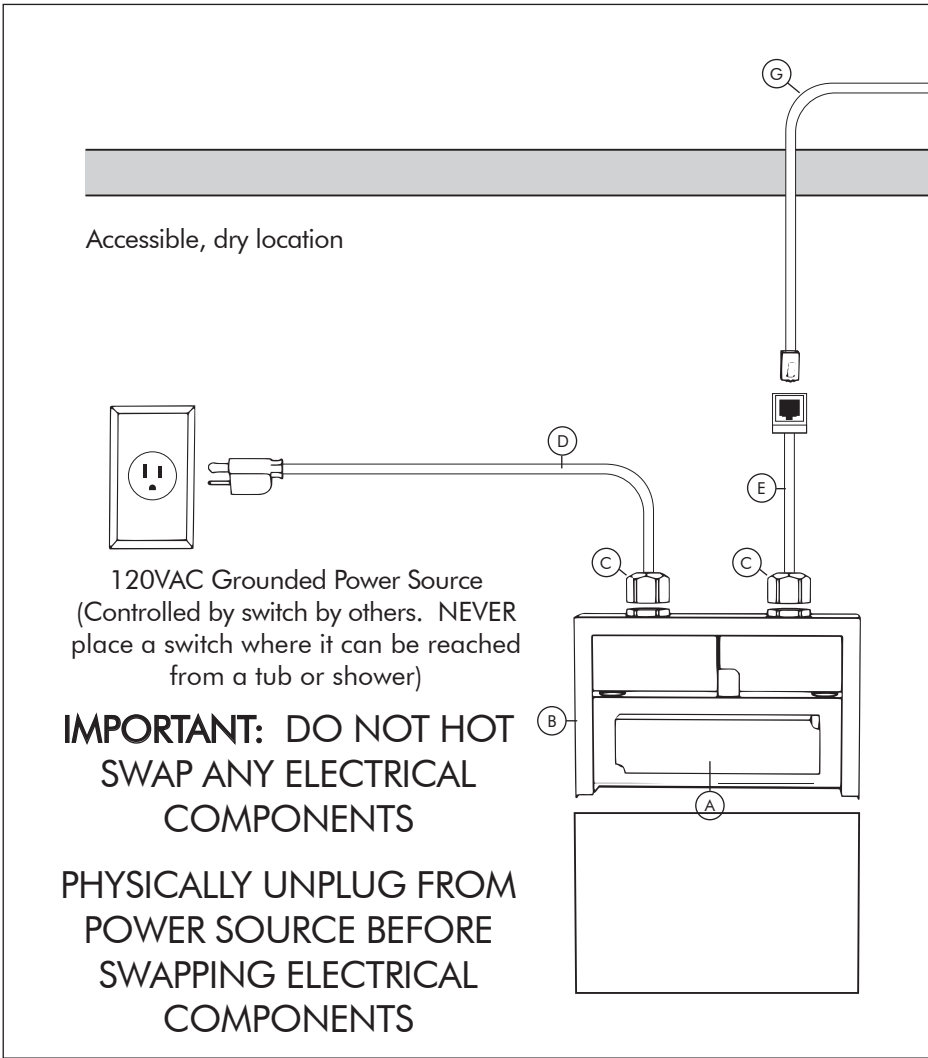
**!IMPORTANT** The Spectrum 441 White Light System should be installed by a licensed, qualified electrician.

**!IMPORTANT** Consider light placement carefully. The fixture(s) for this system should be placed to avoid direct contact with the bather's eyes.

**!IMPORTANT** Splitters should be kept in a dry accessible location when installed. Only use the splitters provided when assembling Brilliance light fixtures and components of this kit.

**!IMPORTANT** Both "OUT" ports of a splitter must be used. An open splitter connection will prevent the lights from turning on. Fully disconnect the power supply of this system from its power source before changing any lights.

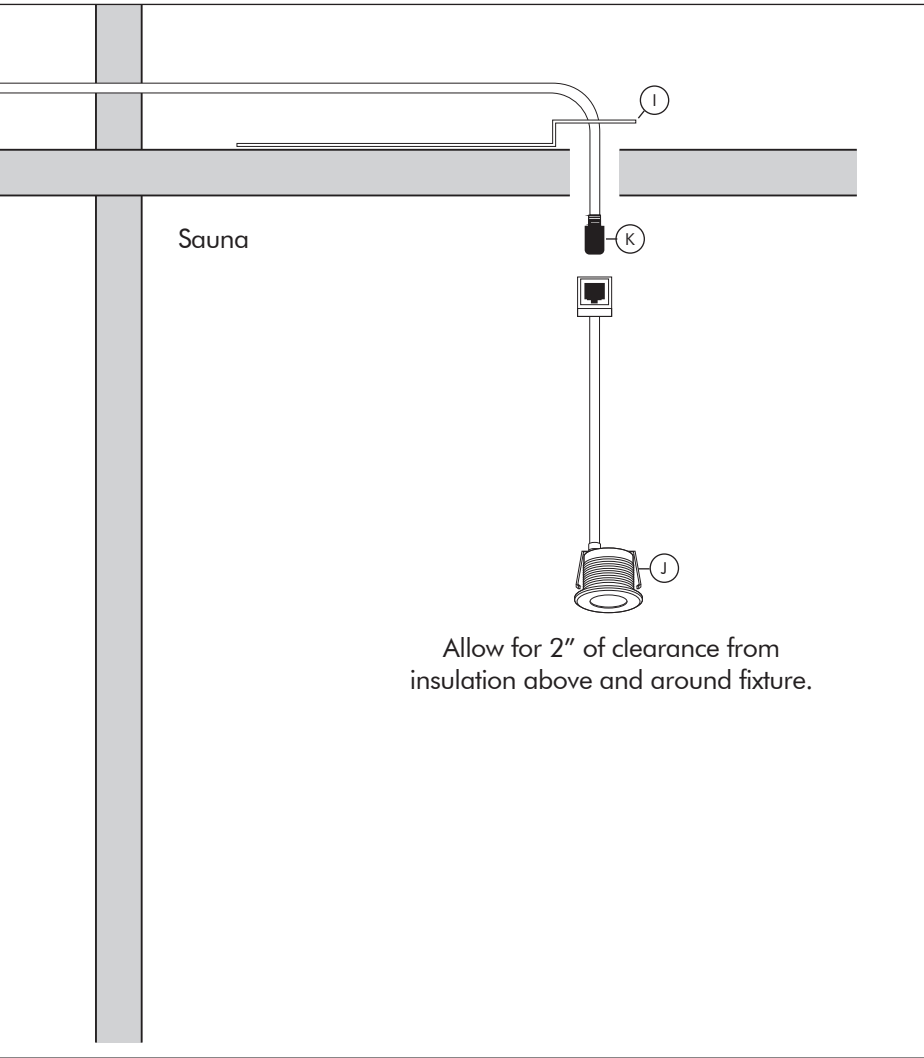
## Installation



### Package Includes

Item	Quantity	Description
A	1	Driver
	1	Screw
	1	Locknut
B	1	Enclosure
	1	Enclosure Top

Item	Quantity	Description
	2	Enclosure Top Screws
	4	Screws / Anchors
	4	Wire Nuts
	1	Ground Connector
	C	2



Package Includes

Item	Quantity	Description
D	1	Male NEMA Cable
E	1	Light Cable
F	0*	Cat6 Cable, 1'
G	1*	Cat6 Cable, 25'

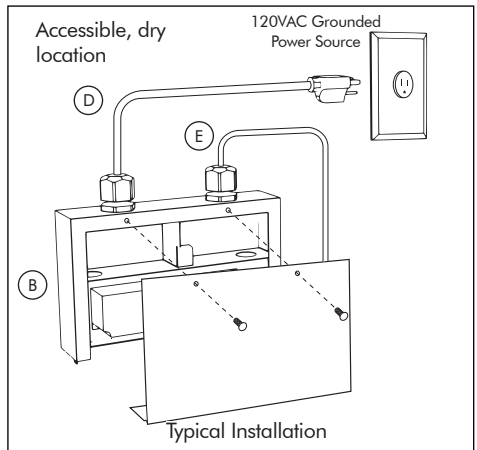
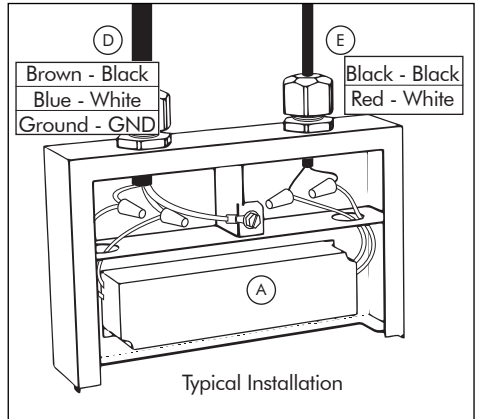
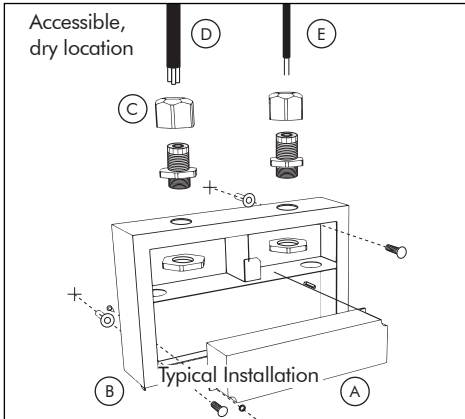
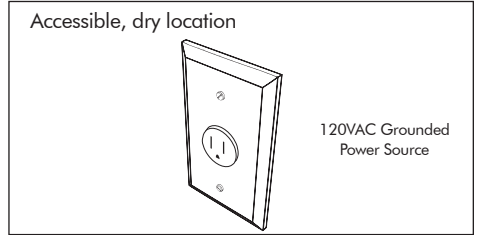
Item	Quantity	Description
H	0*	Splitter
I	1*	Mounting Template
J	1*	Brilliance Light Fixture
K	1*	Wire Fit Cap
	1	Silicone Sealant, 1 ounce

**NOTE:** Quantity with an \* increases by one per each additional light purchased. Quantities shown assume no additional lights purchased with Spectrum 441 system.

## Installation (Continued)

**IMPORTANT: DO NOT HOT SWAP ANY ELECTRICAL COMPONENTS.** This will void the warranty, and likely cause the product to fail.

1. Install a standard single gang electrical box in an accessible, dry location.
2. Run a grounded 120VAC from the power supply to the accessible, dry location's electrical box.
3. Secure enclosure (B) to wall in an accessible, dry location using provided screws / anchors.

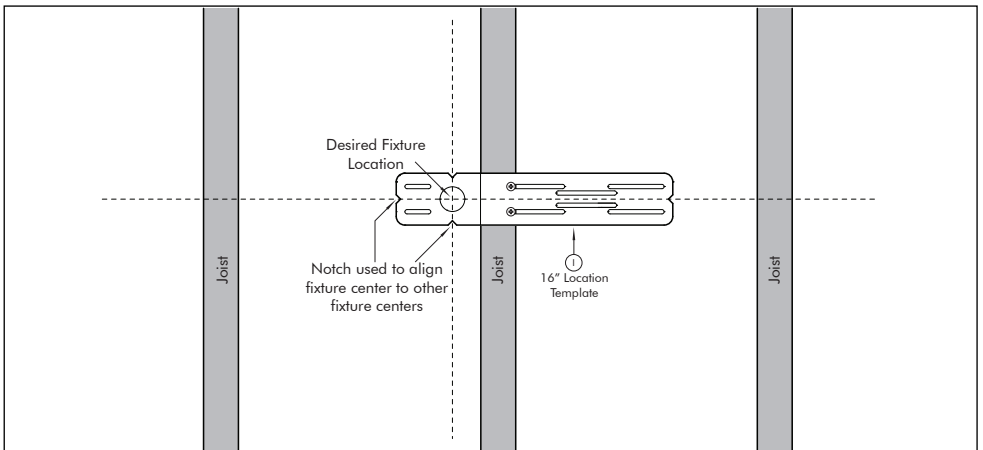
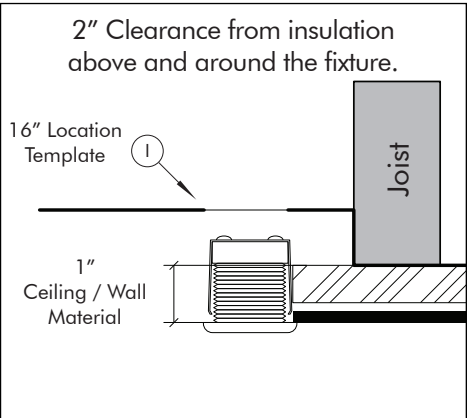


## Installation (Continued)

4. Arrange lights per separate light sheet. Both "OUT" ports of a splitter (H) must be used if a splitter is used.
5. Determine desired brilliance light fixture (J) location. **Note:** Fixture should be placed to avoid direct contact with the bather's eyes. Allow for 2" clearance from insulation above and around the fixture.

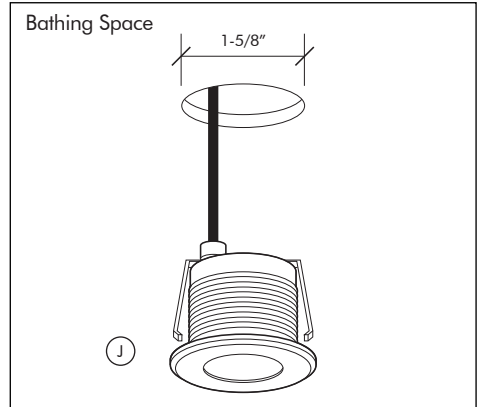
SEE SEPARATE LIGHT SHEET

6. Optional: Mount 16" location template (I) to ceiling / wall framework. Use notches to quickly align desired location to other fixtures in the room.



## Installation (Continued)

7. Make a 1-5/8" hole in desired location.
8. Mount brilliance light fixture (J) to ceiling through 1-5/8" cut-out. Allow for 2" clearance from insulation above and around the fixture.
9. Repeat steps 6 - 8 for each light.





## Product Care

For routine cleaning, simply use a soft damp cloth and common household soap. Use a damp cloth to wipe clean, then dry. Clean product frequently to avoid calcium deposits on surfaces. Use only mild soap. **Never use abrasive cleaners, bleach, disinfectants or cleaning products containing alcohol, ammonia, hydrochloric or phosphoric acids** as they may damage the product's finish. To clean electrical components, gently wipe down using a dry cloth or duster. **Never use a wet duster, water, or any other liquid to clean the device.**

## Specifications

### Driver

**Operating Voltage:** 120 VAC

**Output Voltage:** 700mA

**Power Consumption:** 35W

**Nominal Amperage:** 1.1 Amps

**Dimensions:** 5-7/8" W x 1-1/8" H x 1-5/8" D

### Brilliance Fixture

**Type:** LED Cool White (5650-6300K)

**Operating Voltage:** 12VDC

**Maximum Input Current:** 700mA

**LED:** 1 x 3 Watt

**Beam Angle:** 35°

**Trim Finish:** Polished Stainless Steel

**Housing Composition:** First Grade Aluminum

**Lens:** Clear or Frosted, 1-7/32" Diameter

**Lens Composition:** Tempered Glass

**Rough-in Cutout:** 1-5/8" to 1-11/16"

**Trim Dimension:** 2-3/64" Diameter, 1/8" Profile

**Body Dimensions:** 1-15/32" Diameter x 1-7/8" Deep

**Rating:** IP68

**Certifications:** CE / RoHS / WEEE

**Max Operating Temperature:** 220°F when installed per instructions

### Enclosure

**Housing Composition:** Steel, black powder coated finish

**Dimensions:** 7-3/4" W x 1-7/8" H x 4-7/8" D

**Standards:** NEMA 1

**Listing:** ETL, UL

### Construction Template

**Composition:** Steel, Galvanized, Gauge 22

**Dimensions:** 15-1/8" L x 1/32" H x 3" D

## Replacement Parts

Contact your Bathology representative for Spectrum 441 Sauna White Light System replacement parts.

800-957-2862

[www.Bathology.com](http://www.Bathology.com)

Description	Part Number
Driver	Spectrum078
Enclosure	Spectrum079
Strain Relief Bushings	Spectrum077
Male NEMA Cable	Spectrum038
Cat6 Cable, 1'	Spectrum030
Cat6 Cable, 25'	Spectrum031
Splitter	Spectrum071
Mounting Template	Spectrum-68-Temp
Clear LED White Light	Spectrum065
Frosted LED White Light	Spectrum066



# BATHOLOGY

rediscover bathing

[www.Bathology.com](http://www.Bathology.com) 800-957-2862

A division of Bathing Brands, Inc.